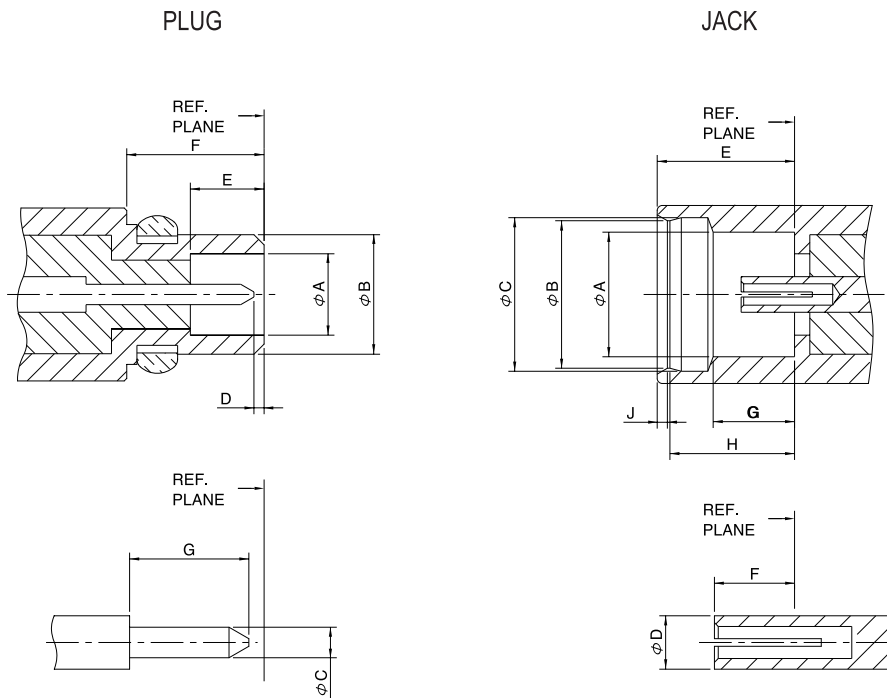


MMCX series



Interface mating dimensions



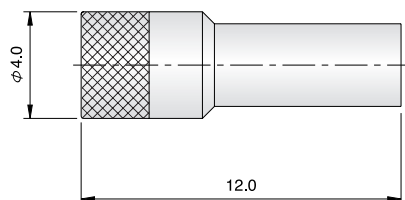
	PLUG	
	Min(mm)	Max(mm)
A	1.58	1.62
B	-	2.40
C	0.38	0.42
D	0.00	0.25
E	1.45	-
F	2.70	-
G	-	3.15

	JACK	
	Min(mm)	Max(mm)
A	2.41	-
B	2.88	2.90
C	3.00	3.04
D	0.68	0.72
E	2.60	-
F	0.75	0.85
G	1.57	1.63
H	2.30	2.34
J	-	0.23

	REQUIREMENT	SPECIFICATION
Material	Body	Brass Gold Plated
	C-Ring	Beryllium Copper Gold Plated
	Center Contacts	Brass or Beryllium Copper Gold Plated
	Insulator	PTFE Teflon
Electrical	Normal Impedance	50 Ω
	VSWR	Straight DC~6GHz Max 1.30 Right Angle DC~3GHz Max 1.30
	Insertion Loss	$0.07 \times \sqrt{f}$: Frequency(GHz)
	Insulation Resistance	DC 500V 3,000MΩ Min
	Contact Resistance	Inner Conductor : 5.0MΩ Max, Outer Conductor : 2.5MΩ Max
Mechanical	Outer Force	Engage : 1.54Kgf Max, Disengage : 0.64~1.54Kgf
	Center Force	Engage : 0.9Kgf Max, Disengage : 0.03Kgf Min
	Connector Durability	500 Cycles MIL-C-39012
Environmental	Vibration	MIL-STD-202, Method 204
	Thermal Shock	MIL-STD-202, Method 107D, Test Condition B
	Corrosion (Salt Spray)	MIL-STD-202, Method 101D, Test Condition B
	Humidity (Steady State)	MIL-STD-202, Method 103B, Test Condition B

This specification covers the normal item among MMCX connector. Inquire separately for detailed specification.

For Semi-Rigid Cable

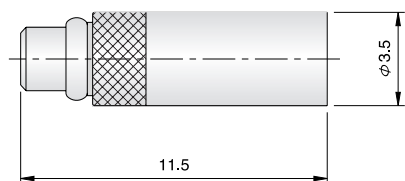


Straight Jack, Solder

Part Number	Cable Type	Finish	Remarks
KCN1011110010	RG-405/U(.085")	Gold	
KCN1011110020	.047"	Gold	

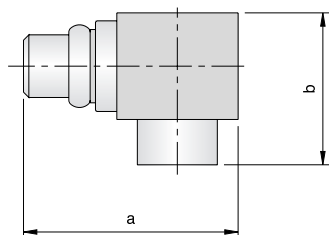
MMCX

Straight Plug, Solder



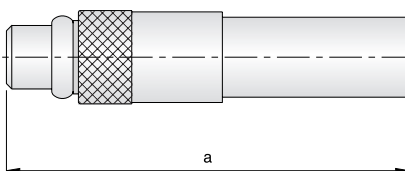
Part Number	Cable Type	Finish	Remarks
KCN1012200000	RG-405/U(.085")	Gold	
KCN1012200010	.047"	Gold	

Right Angle Plug, Solder



Part Number	Cable Type	Finish	Remarks
KCN1032200000	RG-405/U(.085")	Gold	a=8.05 ; b=5.7
KCN1032200010	.047"	Gold	a=7.0 ; b=5.6

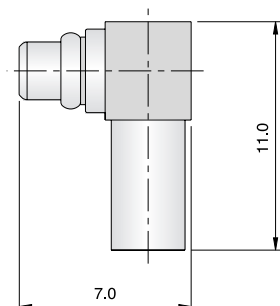
For Flexible Cable



Straight Plug, Crimp

Part Number	Cable Type	Finish	Remarks
KCN1012210000	RG-178B/U	Gold	a=15.1
KCN1012210010	RG-316/U	Gold	a=14.4

Right Angle Plug, Crimp



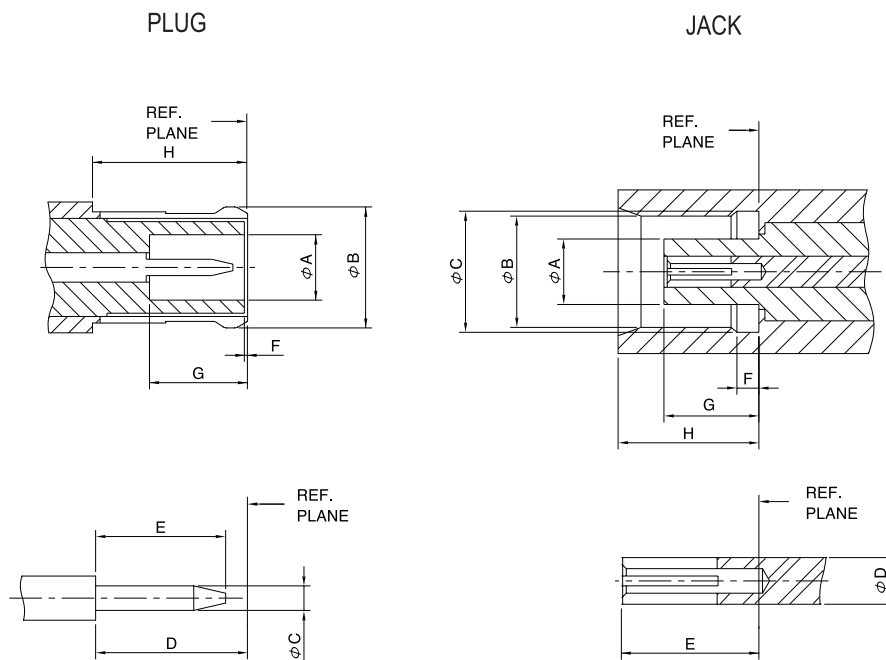
Part Number	Cable Type	Finish	Remarks
KCN1032210000	RG-178B/U	Gold	
KCN1032210010	RG-316/U	Gold	

MCX series



Interface mating dimensions

MCX



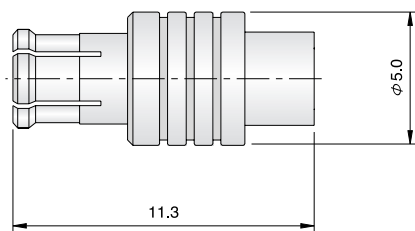
	PLUG	
	Min(mm)	Max(mm)
A	2.00	2.07
B	3.72	3.80
C	0.48	0.53
D	2.80	3.20
E	2.49	2.59
F	-	0.30
G	2.80	3.20
H	4.15	-

	JACK	
	Min(mm)	Max(mm)
A	1.80	1.98
B	3.42	3.48
C	3.60	3.70
D	0.95	Normal
E	2.30	2.80
F	0.75	0.85
G	2.60	2.80
H	4.00	4.12

	REQUIREMENT	SPECIFICATION
Material	Body	Brass, Beryllium Copper Gold Plated
	Center Contacts	Brass or Beryllium Copper Gold Plated
	Insulator	PTFE Teflon
Electrical	Normal Impedance	50 Ω
	VSWR	Straight DC~6GHz Max 1.30 Right Angle DC~3GHz Max 1.30
	Insertion Loss	$0.07 \times \sqrt{f}$: Frequency(GHz)
	Insulation Resistance	DC 500V 10,000MΩ Min
	Contact Resistance	Inner Conductor : 5.0m Ω Max, Outer Conductor : 1m Ω Max
Mechanical	Outer Force	Engage : 2.54Kgf Max, Disengage : 0.82~2.04Kgf
	Center Force	Engage : 0.9Kgf Max, Disengage : 0.03Kgf Min
	Connector Durability	500 Cycles MIL-C-39012
Environmental	Vibration	MIL-STD-202, Method 204
	Thermal Shock	MIL-STD-202, Method 107D, Test Condition B
	Corrosion (Salt Spray)	MIL-STD-202, Method 101D, Test Condition B
	Humidity (Steady State)	MIL-STD-202, Method 103B, Test Condition B

This specification covers the normal item among MCX connector. Inquire separately for detailed specification.

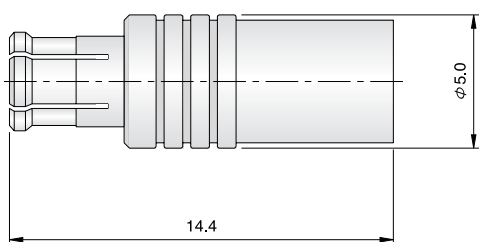
For Semi-Rigid Cable



Straight Plug, Solder

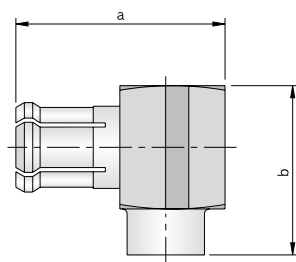
Part Number	Cable Type	Finish	Remarks
KCN1112200000	RG-405/U(.085")	Gold	

Straight Plug, Solder



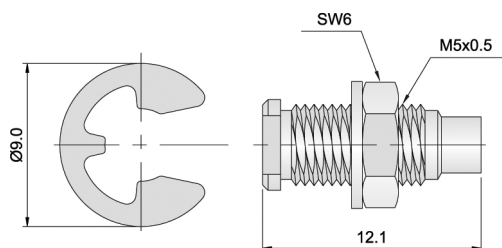
Part Number	Cable Type	Finish	Remarks
KCN1112200010	RG-402/U(.141")	Gold	

Right Angle Plug, Solder



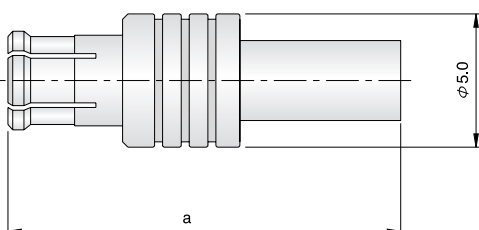
Part Number	Cable Type	Finish	Remarks
KCN1132200000	RG-405/U(.085")	Gold	a=8.65 ; b=7.0
KCN1132200010	RG-402/U(.141")	Gold	a=9.4 ; b=9.0
KCN1132200020	.047"	Gold	a=8.65 ; b=7.0

Bulkhead Jack, Solder



Part Number	Cable Type	Finish	Remarks
KCN1121200020	RG-405/U(.085")	Gold	
KCN1121200030	.047"	Gold	

For Flexible Cable

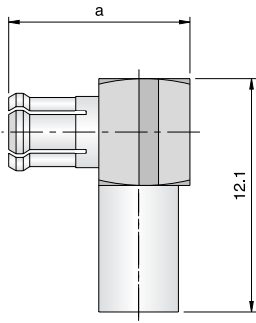


Right Angle Plug, Crimp

Part Number	Cable Type	Finish	Remarks
KCN1112210000	RG-178B/U	Gold	a=15.7
KCN1112210010	RG-316/U	Gold	a=16.2

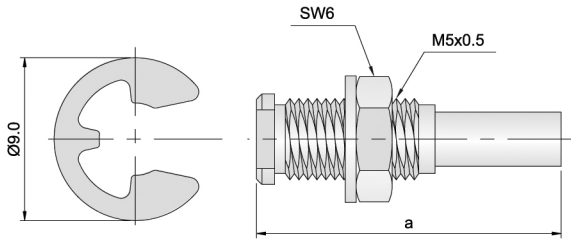


MCX



Right Angle Plug, Crimp

Part Number	Cable Type	Finish	Remarks
KCN1132210000	RG-178B/U	Gold	a=8.4
KCN1132210010	RG-316/U	Gold	a=8.65

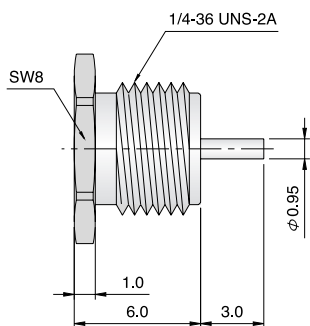


Bulkhead Jack , Crimp

Part Number	Cable Type	Finish	Remarks
KCN1121210000	RG-178B/U	Gold	a= 16.9
KCN1121210010	RG-316/U	Gold	a= 19.9

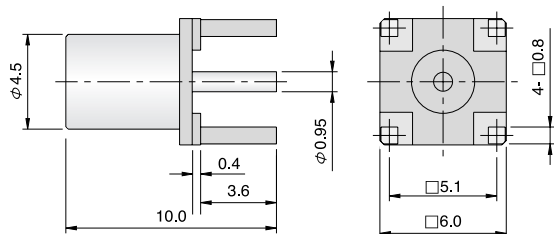


Bulkhead Jack, Straight Terminal



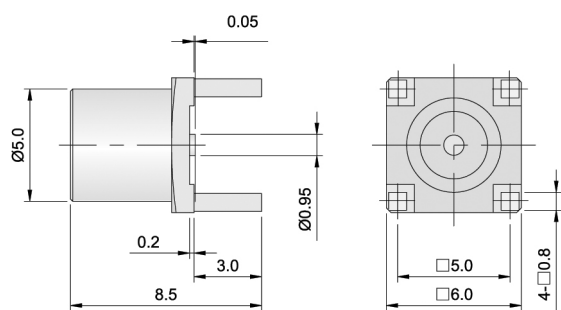
Part Number	Mounting Hole	Finish	Remarks
KCN1121110001	ML 07	Gold	

Straight Jack



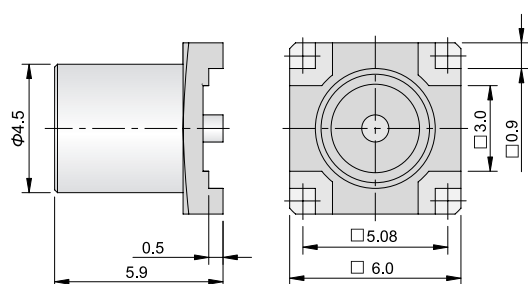
Part Number	Mounting Hole	Finish	Remarks
KCN1151110000	ML 01	Gold	

Straight Jack



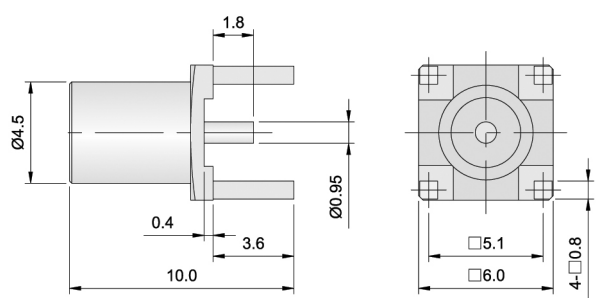
Part Number	Mounting Hole	Finish	Remarks
KCN1151110030	ML 27	Gold	

Straight Jack



Part Number	Mounting Hole	Finish	Remarks
KCN1151110040	ML 01	Gold	

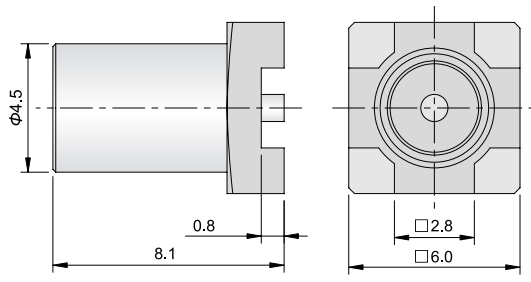
Straight Jack



Part Number	Mounting Hole	Finish	Remarks
KCN1151110050	ML 01	Gold	

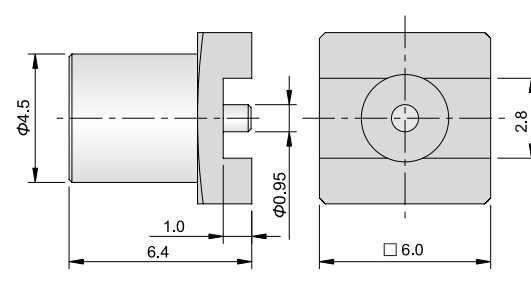
MCX

Straight Jack



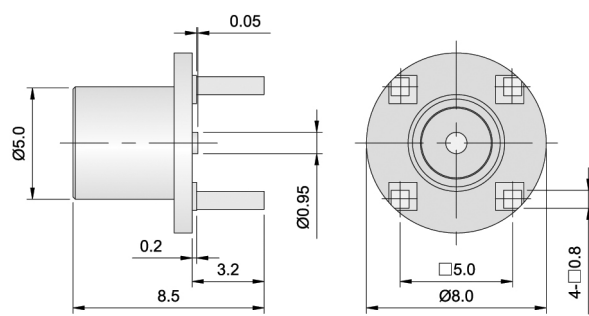
Part Number	Mounting Hole	Finish	Remarks
KCN1151110060	-	Gold	

Straight Jack



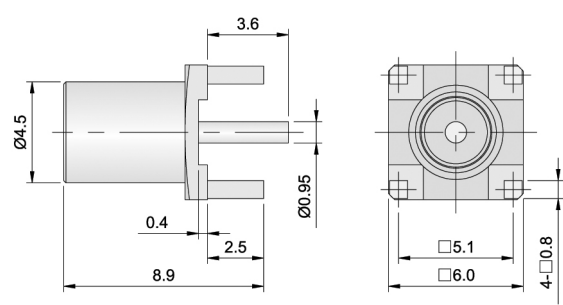
Part Number	Mounting Hole	Finish	Remarks
KCN1151110070	-	Gold	

Straight Jack



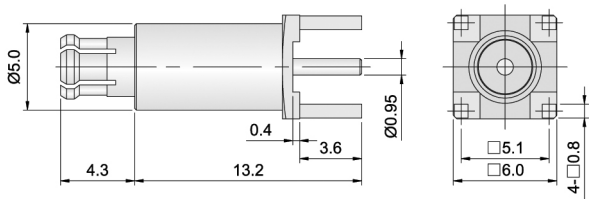
Part Number	Mounting Hole	Finish	Remarks
KCN1151110080	ML 27	Gold	

Straight Jack



Part Number	Mounting Hole	Finish	Remarks
KCN1151110180	ML 21	Gold	

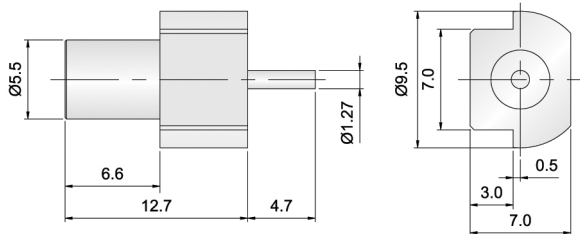
Straight Plug



Part Number	Mounting Hole	Finish	Remarks
KCN1156110000	ML 01	Gold	

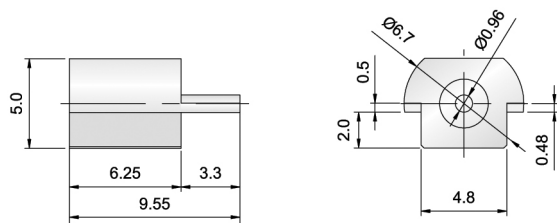


Straight Jack



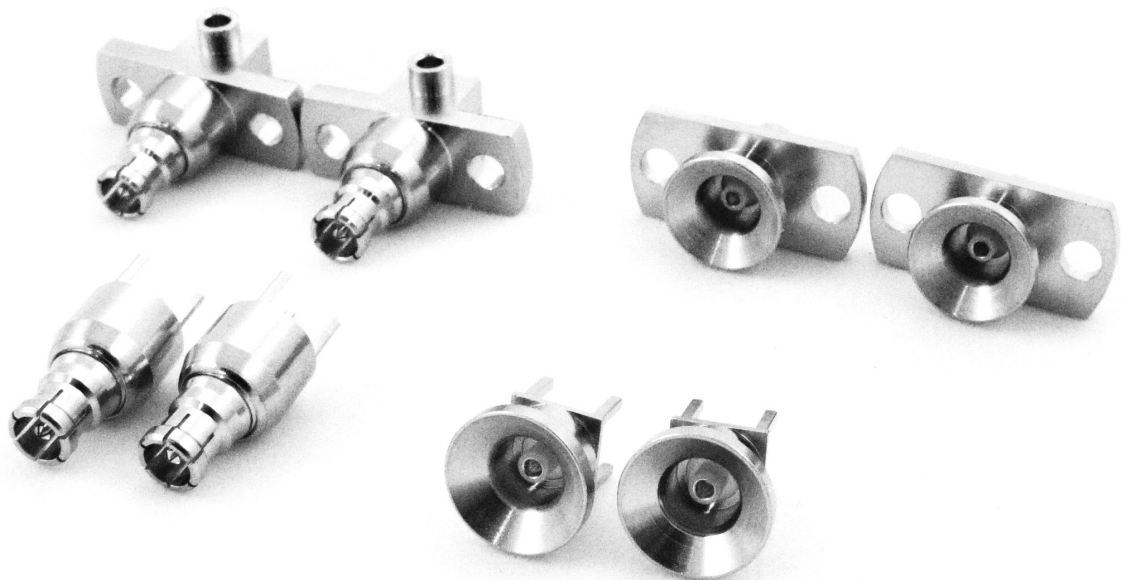
Part Number	Mounting Hole	Finish	Remarks
KCN1161110000	-	Gold	

Straight Jack



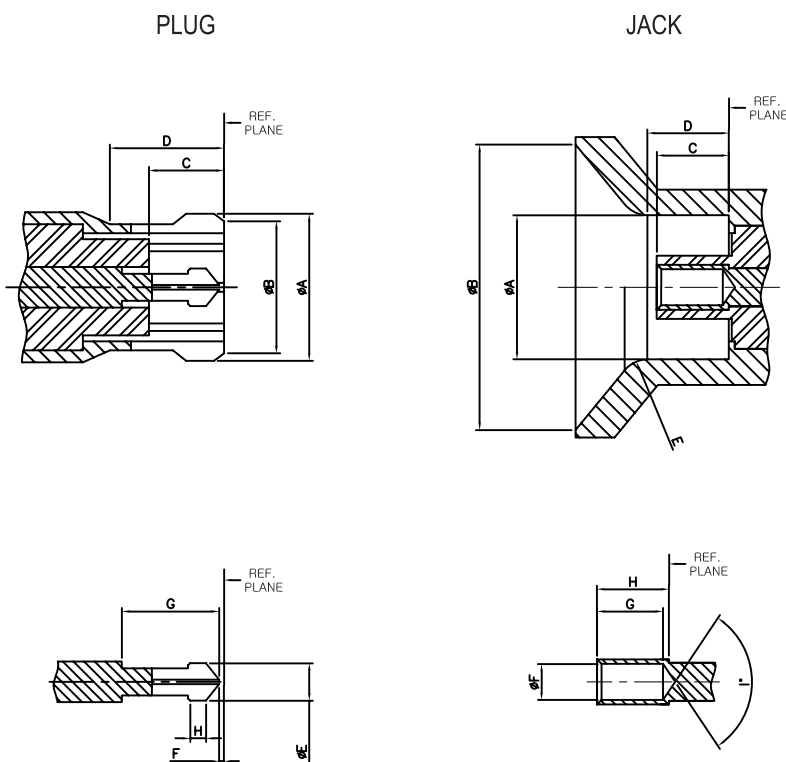
Part Number	Mounting Hole	Finish	Remarks
KCN1161110010	-	Gold	

TBM series **(BLIND MATE CONNECTOR)**



TBM

Interface mating dimensions



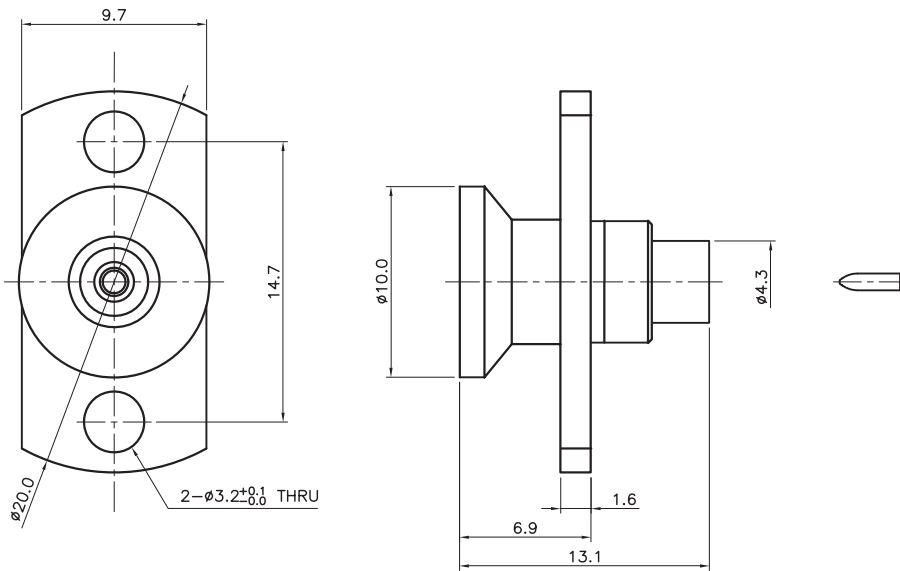
PLUG		
	Min(mm)	Max(mm)
A	4.87	4.90
B	4.35	4.45
C	2.20	2.45
D	3.50	-
E	1.25	Normal
F	0.10	0.35
G	2.45	2.70
H	0.40	-

JACK		
	Min(mm)	Max(mm)
A	4.80	4.83
B	9.50	Normal
C	2.25	2.45
D	2.45	-
E	2.0	Normal
F	1.18	1.22
G	2.10	-
H	2.30	-
I	-	120

REQUIREMENT		SPECIFICATION	
Material	Body	Brass or Beryllium Copper	Gold Plated, Nickel Plate
	Pin	Brass or Beryllium Copper	Gold Plated
	Insulator	PTFE Teflon	
Electrical	Normal Impedance	50 Ω	
	VSWR	Straight 1.15 Max. @3GHz	
		Straight 1.25 Max. @6GHz	
	Insertion Loss(pair)	0.1x√f f:Frequency(GHz)	
	Insulation Resistance	DC 500V 5,000MΩ Min.	
	Contact Resistance	Inner Conductor : 5mΩ Max., Outer Conductor 5mΩ Max.	
Mechanical	Board to Board Distance	15.0mm MIN. (18.0mm Typical)	
	Board to Board Distance tolerance	±1.0mm	
	Misalignment	±0.6mm MIN. (0.8mm Typical)	
	Engage / Disengage	0.3 ~ 1.0Kgf	
	Spring force(nominal)	1.27 ~ 2.86kgf	
	Connector Durability	100Cycles	
Environmental	Vibration	MIL-STD-202, Method 204	
	Thermal Shock	MIL-STD-202, Method 107D, Test Condition B	
	Corrosion(Salt Spray)	MIL-STD-202, Method 101D, Test Condition B	
	Humidity(Steady State)	MIL-STD-202, Method 103B, Test Condition B	

This specification covers the normal item among TBM connector. Inquire separately for detailed specification.

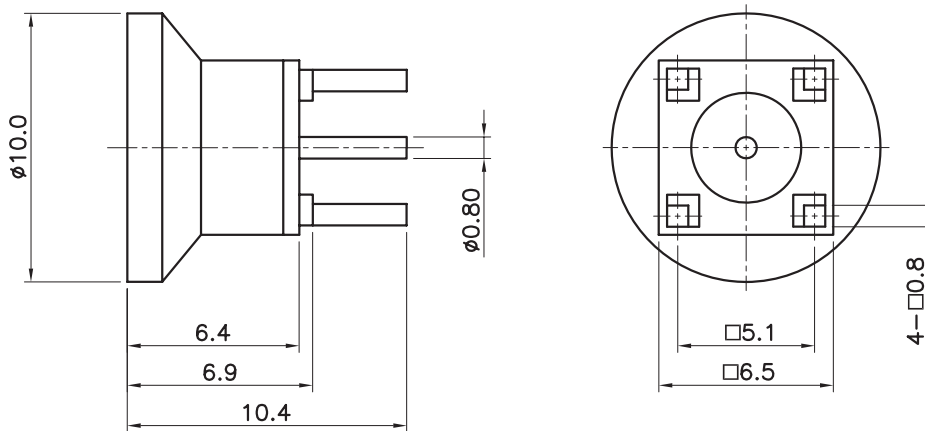
TBM 2H F/M Cable Jack



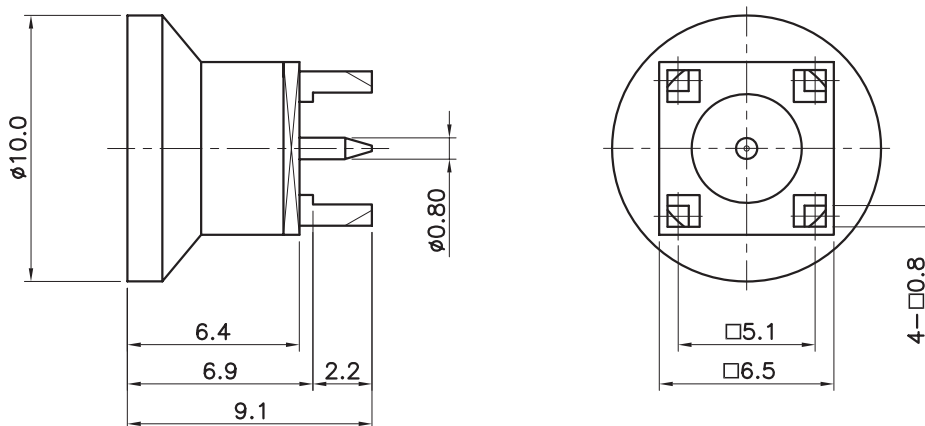
Part Number	KCN2741200000
Freq. Range	DC~3GHz
Impedance	50 Ω Nominal
Cable	RG405[.085]



TBM PCB Mount Jack Receptacle



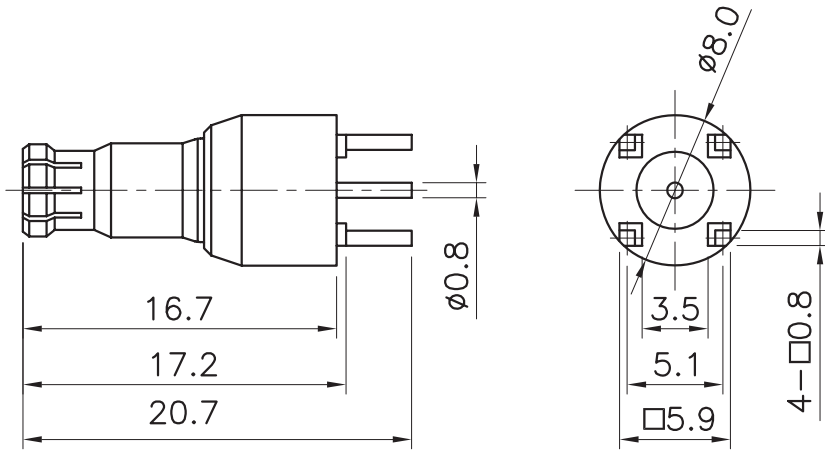
Part Number	KCN2751070000
-------------	---------------



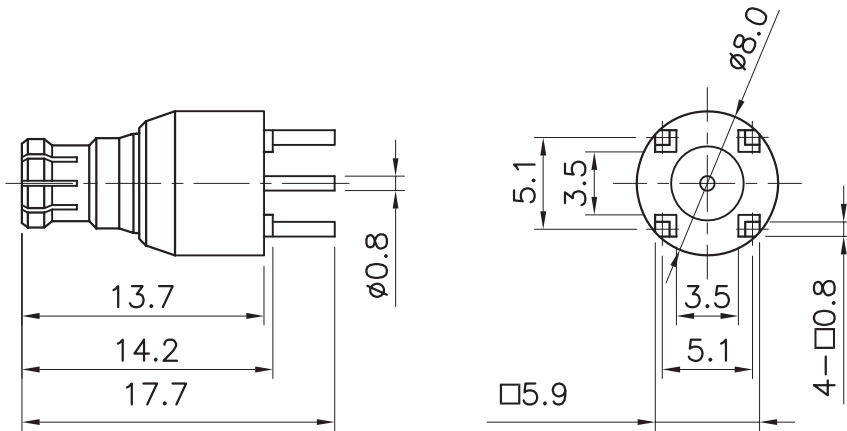
Part Number	KCN2751070010
-------------	---------------

TBM PCB Mount Plug Receptacle

TBM

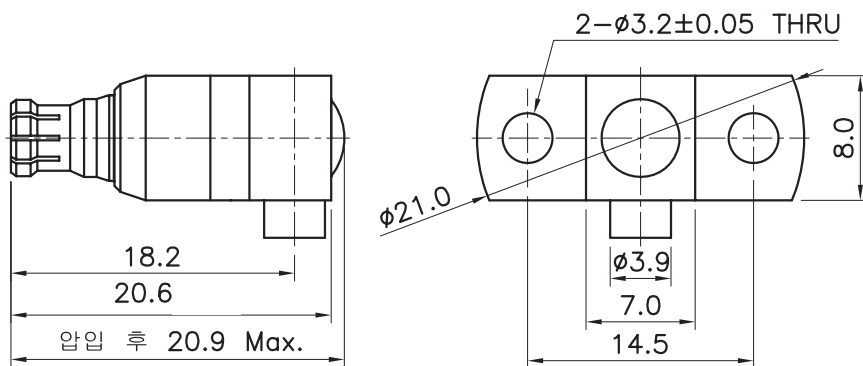


Part Number	KCN2756070000
Freq. Range	DC-6GHz
Impedance	50 Ω Nominal
Board to Board Distance	18.0 \pm 1.0mm (with KCN2751070000)
Misalignment	\pm 0.8mm



Part Number	KCN2756070010
Freq. Range	DC-3GHz
Impedance	50 Ω Nominal
Board to Board Distance	15.0 \pm 1.0mm (with KCN2751070000)
Misalignment	\pm 0.6mm

TBM 2Hole Right Angle Cable Plug

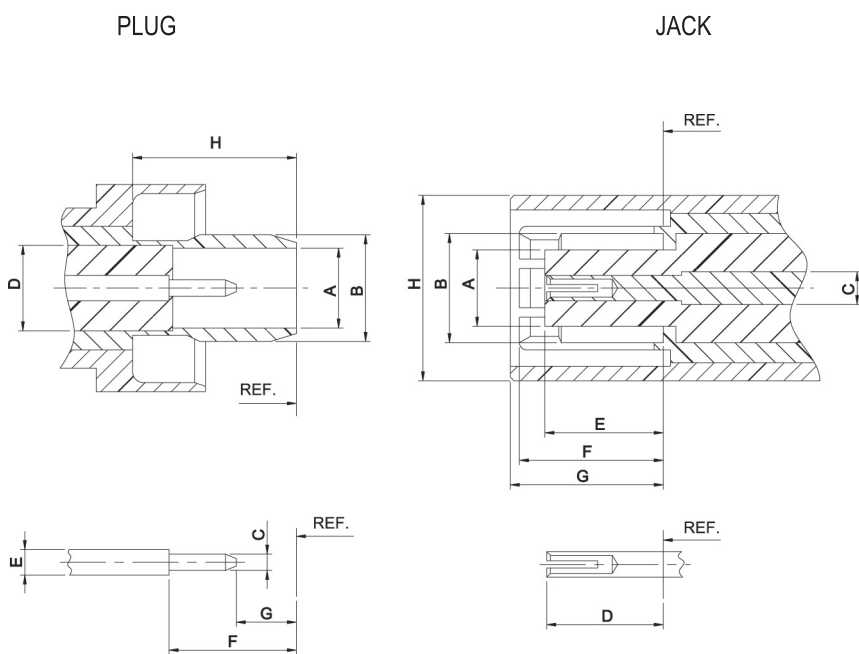


Part Number	KCN2736200000
Freq. Range	DC-6GHz
Impedance	50 Ω Nominal
Board to Board Distance	16.1 \pm 1.0mm (with KCN2751070000)
Misalignment	\pm 0.6mm

TCL series



Interface mating dimensions

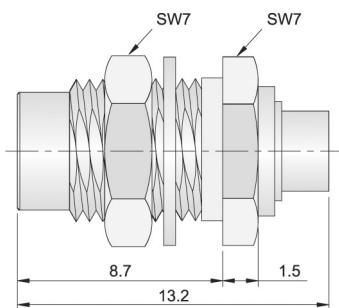


		PLUG	
		Min(mm)	Max(mm)
A		2.2 Normal	
B		2.9 Normal	
C		0.38	0.42
D		2.3 Normal	
E		0.7 Normal	
F		3.5 Normal	
G		1.55	1.75
H		4.4	-
		JACK	
		Min(mm)	Max(mm)
A		2.2 Normal	
B		2.9 Normal	
C		0.7 Normal	
D		2.90	3.33
E		3.05	3.33
F		-	4.4
G		-	4.4

	REQUIREMENT	SPECIFICATION	
Material	Body	Brass, Beryllium Copper	Nikel Plate, 3Mat'l Plated
	Pin	Brass or Beryllium Copper	Gold Plated
	Insulator	PTFE Teflon	
Electrical	Normal Impedance	50 Ω	
	VSWR	1.3 Max. @3GHz	
	Insertion Loss	0.1 × √f : Frequency(GHz)	
	Insulation Resistance	DC 500V 5,000MΩ Min	
	Contact Resistance	Inner Conductor : 3m Ω Max, Outer Conductor : 2m Ω Max	
Mechanical	Outer Force	Engage : 1.5kgf, Disengage : 2.0~3.2kgf	
	Center Force	Engage : 0.9kgf Max., Disengage : 0.03kgf Min.	
	Connector Durability	500Cycles MIL-C-39012	
Environmental	Vibration	MIL-STD-202, Method 204	
	Thermal Shock	MIL-STD-202, Method 107D, Test Condition B	
	Corrosion (Salt Spray)	MIL-STD-202, Method 101D, Test Condition B	
	Humidity (Steady State)	MIL-STD-202, Method 103B, Test Condition B	

This specification covers the normal item among TCL connector. Inquire separately for detailed specification.

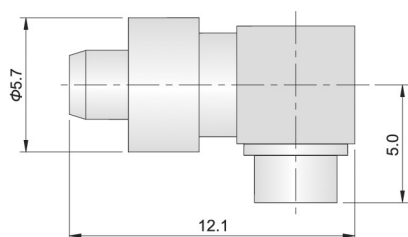
For Semi-Rigid Cable



Straight Jack, Solder

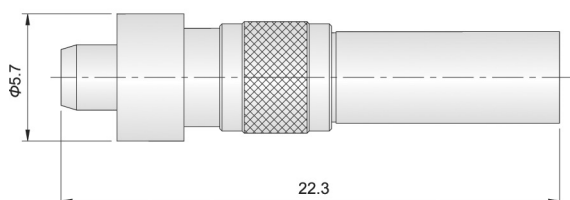
Part Number	Cable Type	Finish	Remarks
KCN2521200000	RG-405/U(.085")	Ni	

Right Angle Plug, Solder



Part Number	Cable Type	Finish	Remarks
KCN2532200000	RG-405/U(.085")	Ni	

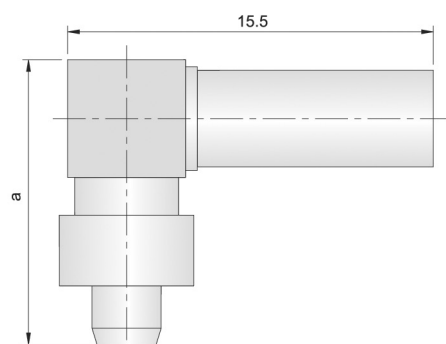
For Flexible Cable



Straight Plug, Crimp

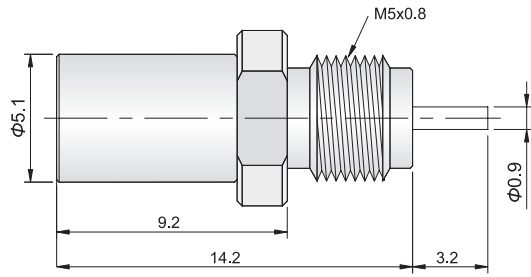
Part Number	Cable Type	Finish	Remarks
KCN2512210000	RG-316/U	3MAT'L	

Right Angle Plug, Crimp



Part Number	Cable Type	Finish	Remarks
KCN2532210000	RG-316/U	3MAT'L	a=12.1
KCN2532210010	RG-316/U	3MAT'L	a=15.5

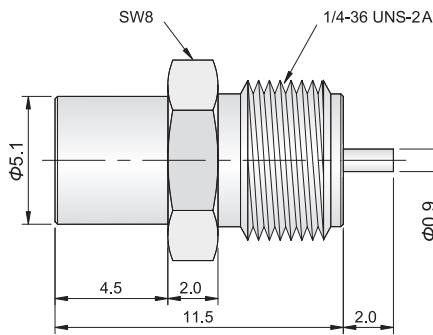
Solder and Coaxial Version



Bulkhead Jack, Straight Terminal

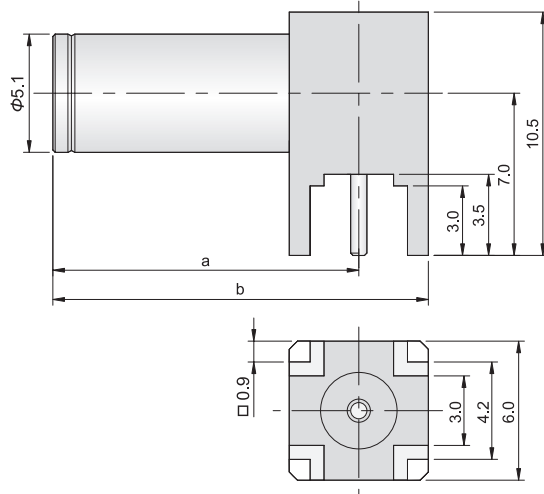
Part Number	Mounting Hole	Finish	Remarks
KCN2521110000	-	Ni	

Bulkhead Jack, Straight Terminal



Part Number	Mounting Hole	Finish	Remarks
KCN2521110010	-	Ni	

Right Angle, Straight Terminal



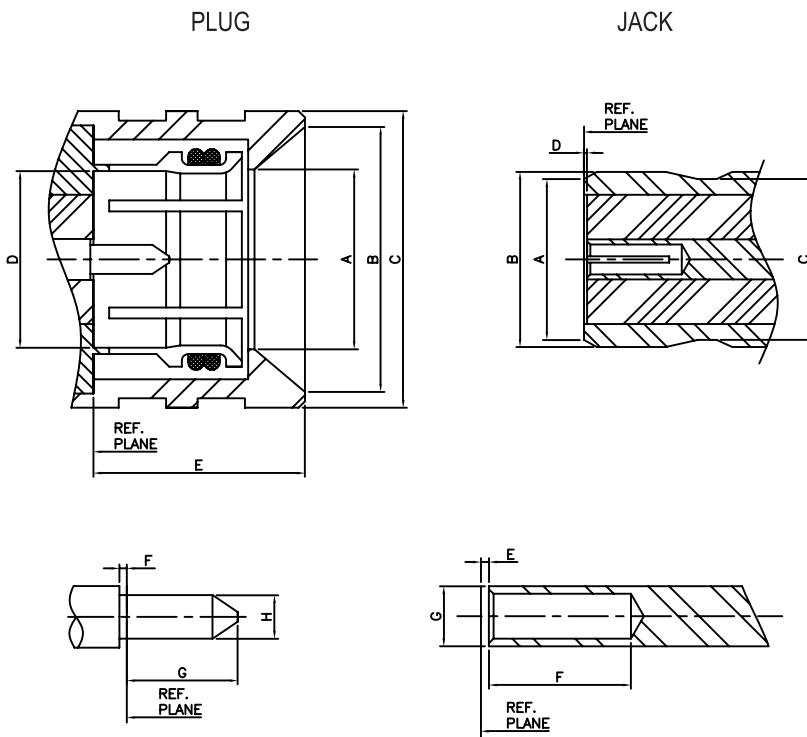
Part Number	Mounting Hole	Finish	Remarks
KCN2553110000	ML 01	Ni	a=15.2, b=16.2
KCN2553110010	ML 01	Ni	a=18.2, b=21.2

POC series

(BLIND MATE CONNECTOR)



Interface mating dimensions



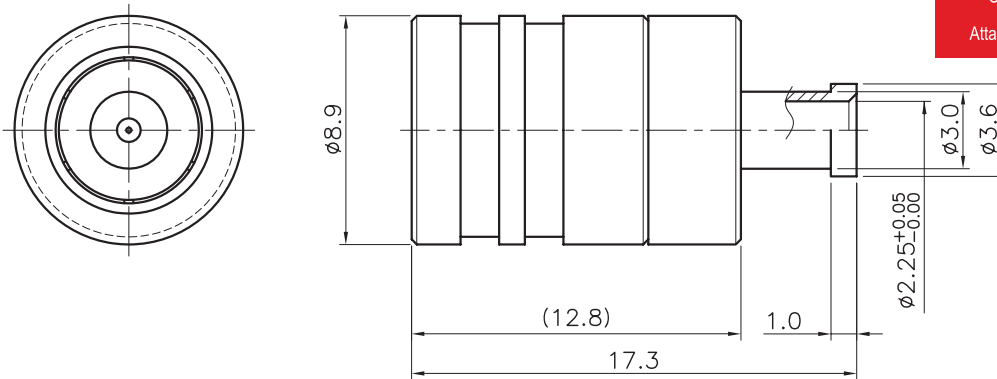
PLUG		
	Min(mm)	Max(mm)
A	5.70	5.80
B	8.40	8.50
C	9.4	Normal
D	5.60	5.64
E	6.30	6.50
F	0.00	0.25
G	-	2.54
H	0.90	0.94

JACK		
	Min(mm)	Max(mm)
A	5.05	5.15
B	5.53	5.57
C	5.08	5.12
D	0.00	0.25
E	0.00	0.25
F	2.67	-
G	1.24	1.29

	REQUIREMENT	SPECIFICATION
Material	Body	Brass or Beryllium Copper Gold Plated, Nickel Plate
	Pin	Brass or Beryllium Copper Gold Plated
	Insulator	PTFE Teflon
Electrical	Normal Impedance	50 Ω
	VSWR	Straight 1.20 Max. @4GHz
	Insertion Loss(pair)	0.05x√f f:Frequency(GHz)
	Insulation Resistance	DC 500V 5,000MΩ Min.
	Contact Resistance	Inner Conductor : 5mΩ Max., Outer Conductor 5mΩ Max.
Mechanical	Board to Board Distance	15.4mm MIN.
	Board to Board Distance tolerance	±1.0mm
	Misalignment	±0.6mm
	Engage / Disengage	0.5 ~ 1.5Kgf
	Spring force(nominal)	1.95 ~ 2.66kgf
	Connector Durability	100Cycles
Environmental	Vibration	MIL-STD-202, Method 204
	Thermal Shock	MIL-STD-202, Method 107D, Test Condition B
	Corrosion(Salt Spray)	MIL-STD-202, Method 101D, Test Condition B
	Humidity(Steady State)	MIL-STD-202, Method 103B, Test Condition B

This specification covers the normal item among POC connector. Inquire separately for detailed specification.

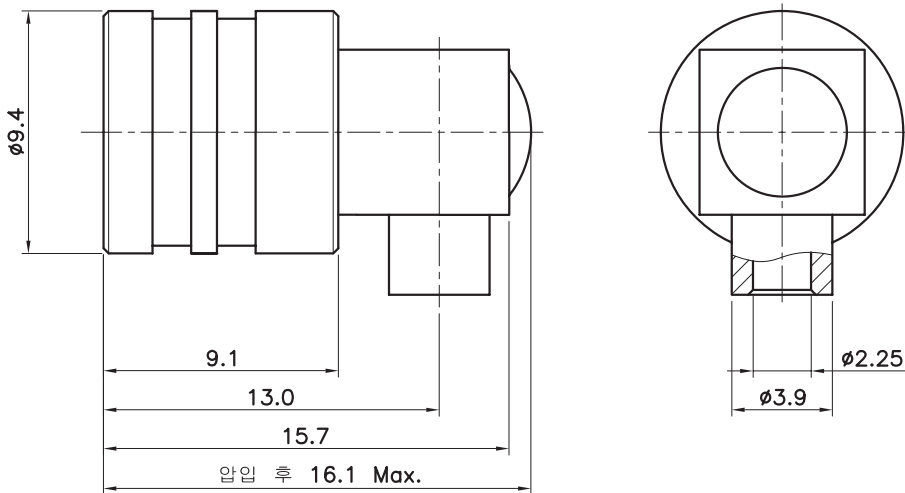
POC St Cable Plug



Part Number	KCN6112200000
Freq. Range	DC~3GHz
Impedance	50Ω Nominal
VSWR	1.1 Max.
Cable	RG-405/U(.085)
Attachment	Direct Solder

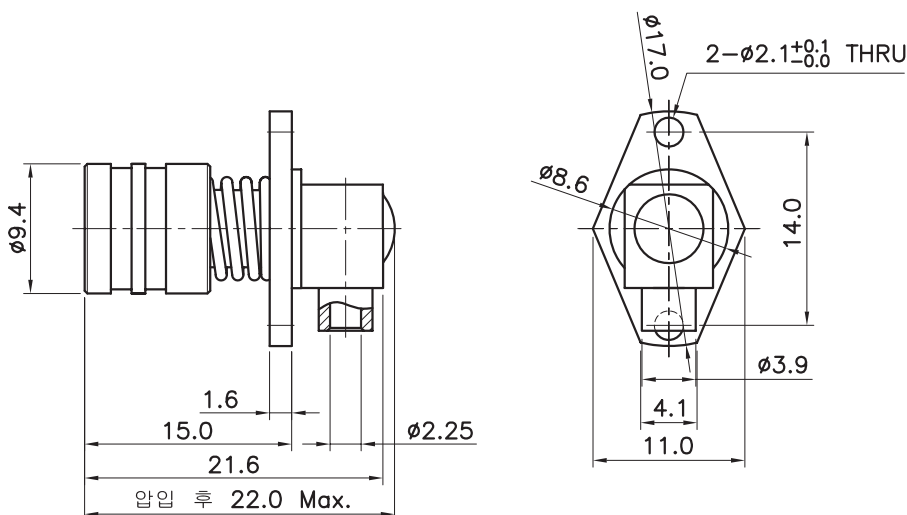


POC Right Angle Cable Plug



Part Number	KCN6132200000
Freq. Range	DC~3GHz
Impedance	50Ω Nominal
VSWR	1.2 Max.
Cable	RG-405/U(.085)
Attachment	Direct Solder

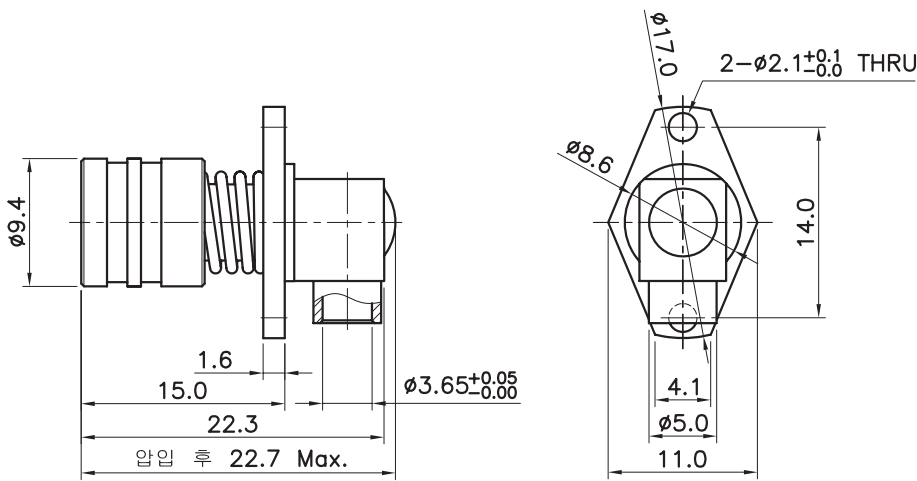
POC 2Hole Flange Mount Right Angle Cable Plug



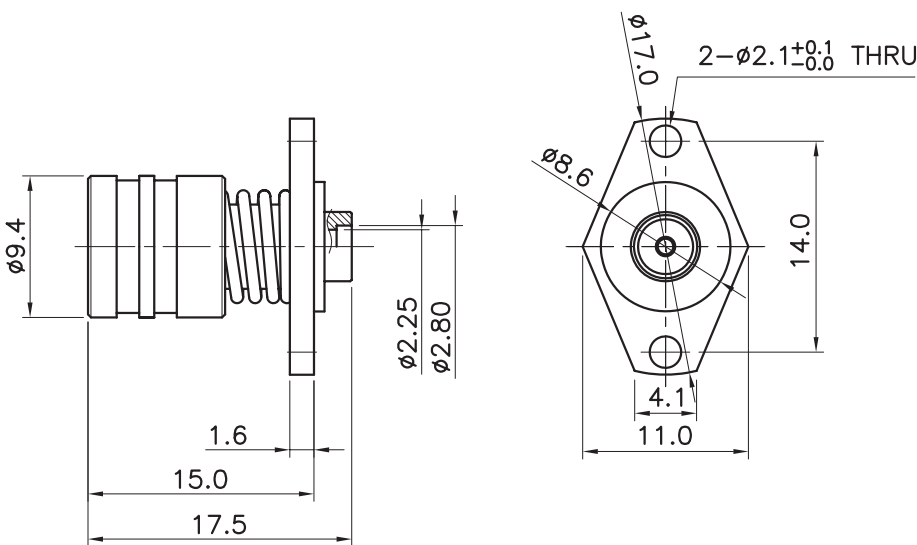
Part Number	KCN6136200000
Freq. Range	DC~3GHz
Impedance	50Ω Nominal
VSWR	1.2 Max.
Cable	RG-405/U(.085)
Attachment	Direct Solder
Board to Board Distance (MIN.)	15.4±1.0mm
Misalignment	±0.6mm

POC 2Hole Flange Mount Right Angle Cable Plug

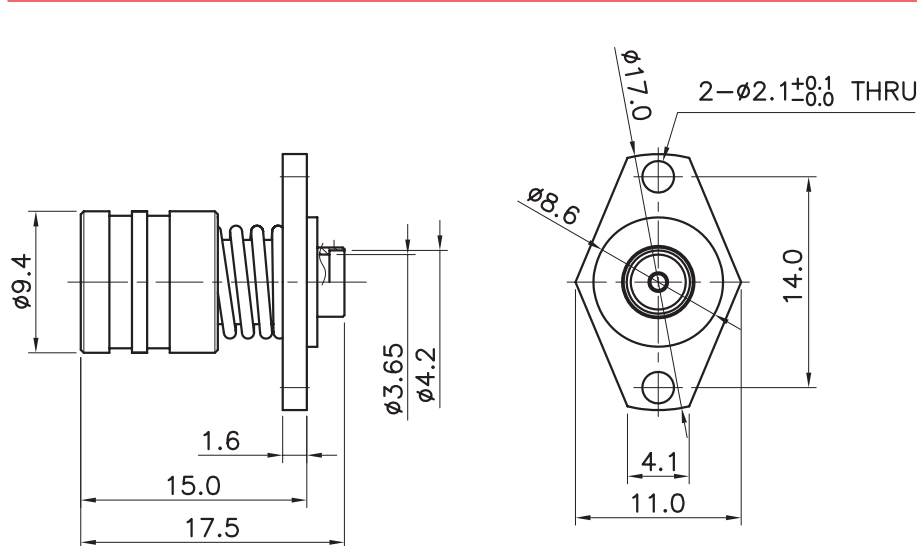
POC



Part Number	KCN6136200010
Freq.Range	DC~3GHz
Impedance	50Ω Nominal
VSWR	1.2 Max.
Cable	RG-402/U(.141)
Attachment	Direct Solder
Board to Board Distance (MIN.)	15.4±1.0mm
Misalignmen	±0.6mm



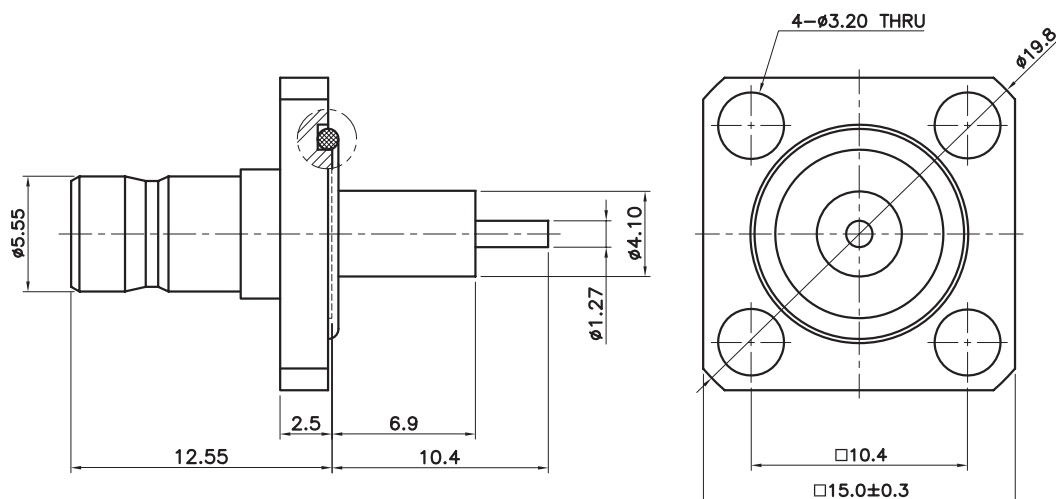
Part Number	KCN6142200000
Freq.Range	DC~3GHz
Impedance	50Ω Nominal
VSWR	1.2 Max.
Cable	RG-405/U(.085)
Attachment	Direct Solder
Board to Board Distance (MIN.)	15.4±1.0mm
Misalignmen	±0.6mm



Part Number	KCN6142200010
Freq.Range	DC~3GHz
Impedance	50Ω Nomal
VSWR	1.2 Max.
Cable	RG-402/U(.141)
Attachment	Direct Solder
Board to Board Distance (MIN.)	15.4±1.0mm
Misalignmen	±0.6mm

POC 4Hole Flange Mount Jack Receptacle

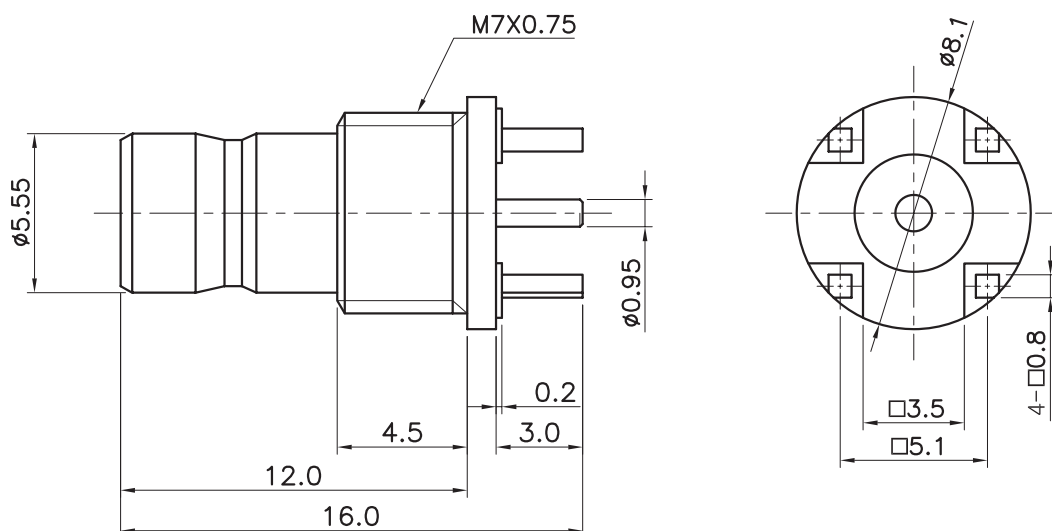
Part Number KCN6143110000



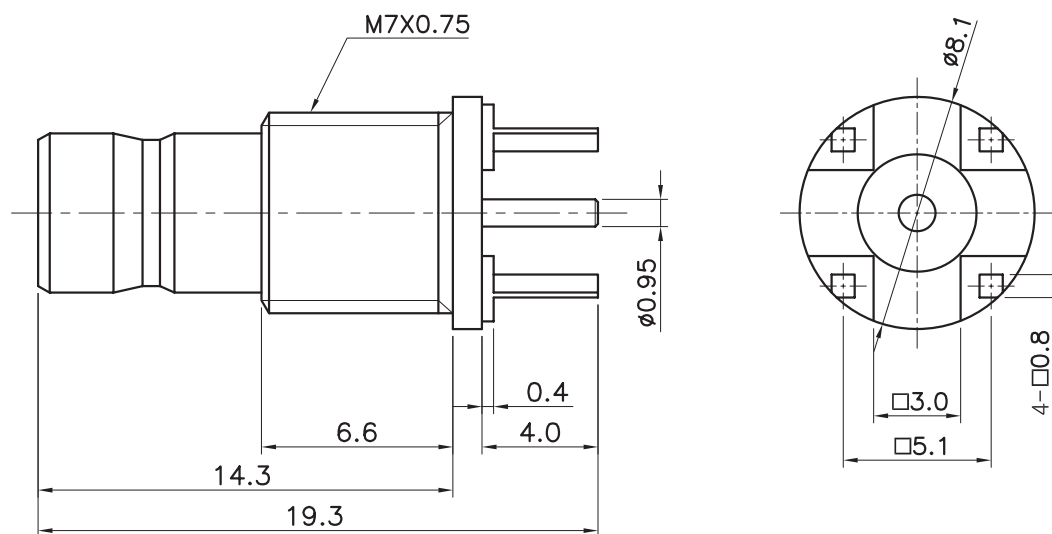
POC

POC Mount Bulkhead Feedthru Jack Receptacle

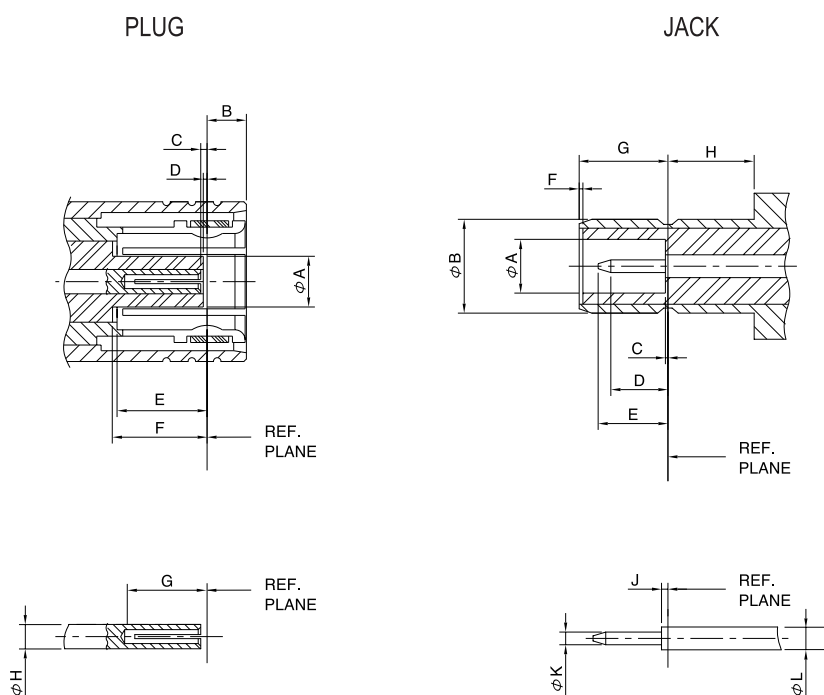
Part Number KCN6152110000



Part Number KCN6152110000



Interface mating dimensions

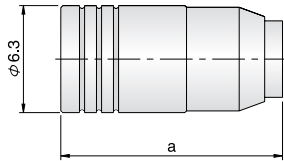


	PLUG	
	Min(mm)	Max(mm)
A	-	2.06
B	-	1.63
C	0.18	0.94
D	0.18	-
E	3.58	-
F	3.58	-
G	2.97	-
H	0.95 Normal	
	JACK	
	Min(mm)	Max(mm)
A	2.08	2.16
B	3.66	3.71
C	-	0.18
D	1.32	-
E	-	2.97
F	0.00	-
G	3.33	3.58
H	1.65	-
J	-	0.18
K	0.48	0.53
L	0.95 Normal	

	REQUIREMENT	SPECIFICATION
Material	Body	Brass Gold Plated, Nickel Plated
	C-Ring	Beryllium Copper Gold Plated
	Center Contacts	Brass or Beryllium Copper Gold Plated
	Insulator	PTFE Teflon
Electrical	Normal Impedance	50 Ω
	VSWR	Straight DC~4GHz Max 1.30 Right Angle DC~3GHz Max 1.35
	Insertion Loss	0.2 × √f : Frequency(GHz)
	Insulation Resistance	DC 500V 1,000MΩ Min
	Contact Resistance	Inner Conductor : 6.0m Ω Max, Outer Conductor : 1m Ω Max
Mechanical	Outer Force	Engage : 0.82~6.44Kgf, Disengage : 0.82~6.44Kgf
	Center Force	Engage : 1.1Kgf Max, Disengage : 0.03Kgf Min
	Connector Durability	500 Cycles MIL-C-39012
Environmental	Vibration	MIL-STD-202, Method 204
	Thermal Shock	MIL-STD-202, Method 107D, Test Condition B
	Corrosion (Salt Spray)	MIL-STD-202, Method 101D, Test Condition B
	Humidity (Steady State)	MIL-STD-202, Method 103B, Test Condition B

This specification covers the normal item among SMB connector. Inquire separately for detailed specification.

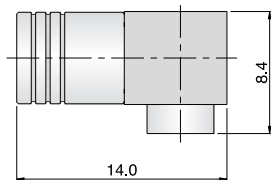
For Semi-Rigid Cable



Straight Plug, Solder

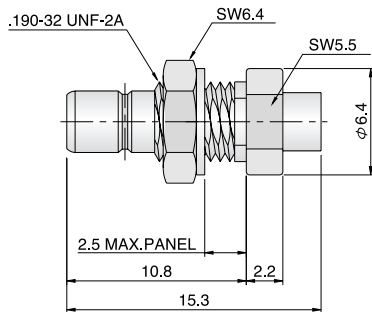
Part Number	Cable Type	Finish	Remarks
KCN3012200000	RG-405/U(.085")	Gold	a=13.1
KCN3012200010	RG-402/U(.141")	Gold	a=14.85

Right Angle Plug, Solder



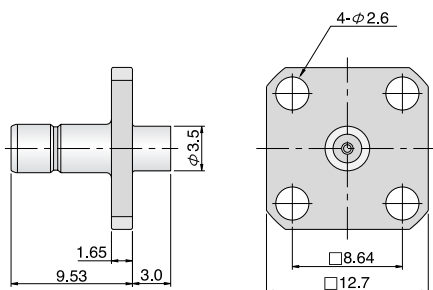
Part Number	Cable Type	Finish	Remarks
KCN3032200000	RG-402/U(.141")	Gold	
KCN3032200010	RG-405/U(.085")	Gold	

Bulkhead Jack, Solder



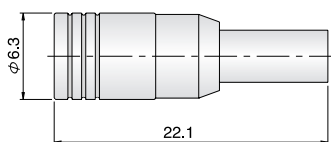
Part Number	Cable Type	Mounting Hole	Finish	Remarks
KCN3021200000	RG-405/U(.085")	ML 02	Gold	

Flange Jack, Solder



Part Number	Cable Type	Mounting Hole	Finish	Remarks
KCN3043200000	RG-405/U(.085")	ML 03	Gold	

For Flexible Cable

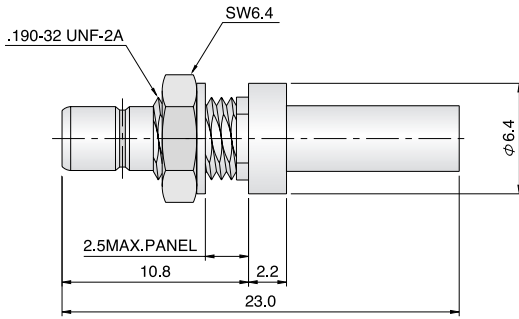


Straight Plug, Crimp

Part Number	Cable Type	Finish	Remarks
KCN3012210000	RG-316/U	Gold	

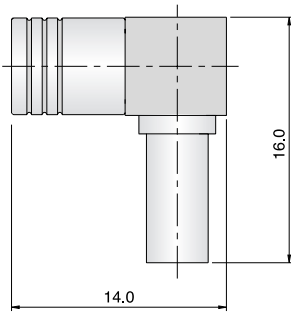
SMB

SMB



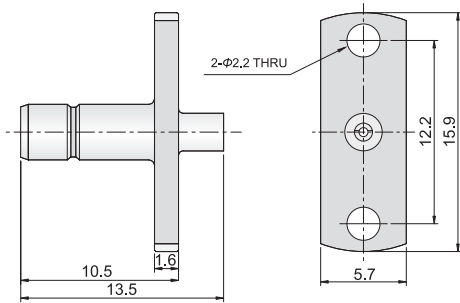
Bulkhead Jack, Crimp

Part Number	Cable Type	Mounting Hole	Finish	Remarks
KCN3021210000	RG-316/U	ML 02	Gold	



Right Angle Plug, Crimp

Part Number	Cable Type	Finish	Remarks
KCN3032210000	RG-316/U	Gold	

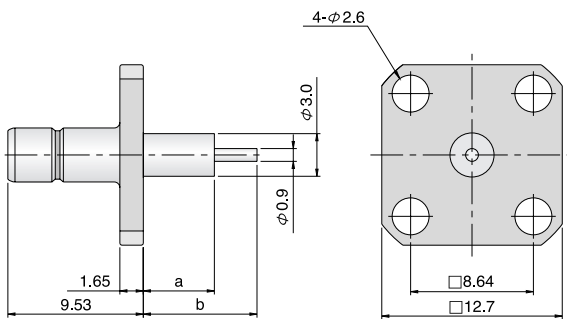


Flange Jack, Solder

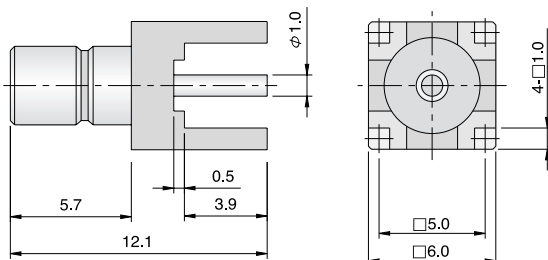
Part Number	Cable Type	Finish	Remarks
KCN3041200000	1.13	Gold	

Panel and PC-Board Connectors

Straight Jack



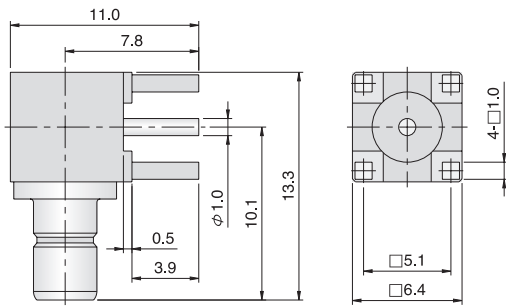
Part Number	Mounting Hole	Finish	Remarks
KCN3043110000	Square	Gold	a=5 ; 6=8
KCN3043110010	Square	Ni	a=2 ; b=5



Straight Jack

Part Number	Mounting Hole	Finish	Remarks
KCN3051110000	ML 08	Gold	

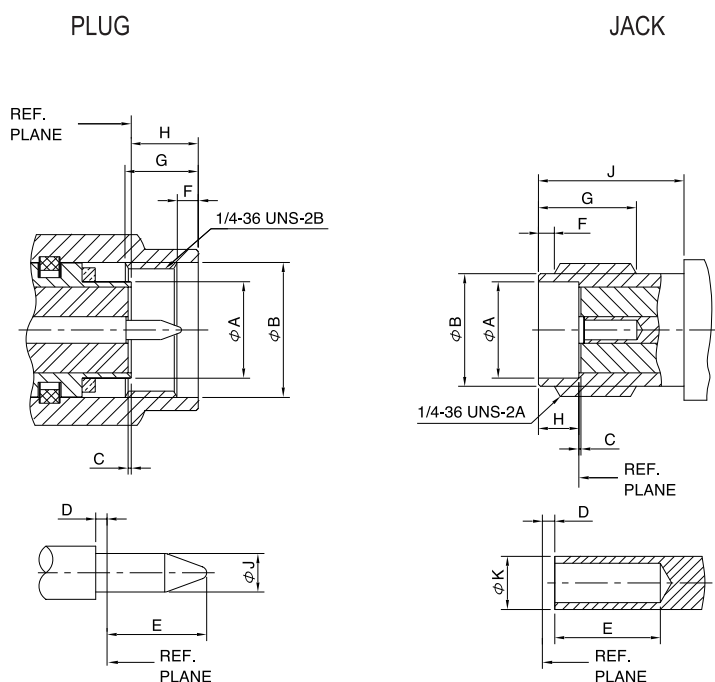
Right Angle Jack



Part Number	Mounting Hole	Finish	Remarks
KCN3053110040	ML 08	Gold	

SMB

Interface mating dimensions



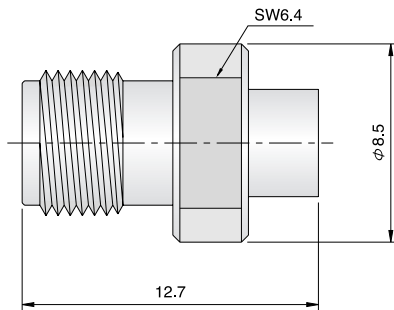
	PLUG	
	Min(mm)	Max(mm)
A	-	4.590
B	6.35	-
C	0.00	0.25
D	0.00	0.25
E	-	2.54
F	0.38	1.14
G	3.30	-
H	-	3.43
J	0.90	0.94

	JACK	
	Min(mm)	Max(mm)
A	4.597	-
B	5.28	5.49
C	0.00	0.25
D	0.00	0.25
E	2.67	-
F	0.38	1.14
G	4.32	-
H	1.88	1.98
J	5.54	-
K	1.24	1.29

	REQUIREMENT	SPECIFICATION
Material	Body	Brass or Stainless Steel (SUS303) Gold Plated, Silver Plated, Nickel Plated
	Coupling Nut	Brass or Stainless Steel (SUS303) Gold Plated, Passivate, Nickel Plated
	Center Contacts	Brass or Beryllium Copper Gold Plated, Silver Plated
	Insulator	PTFE Teflon
	Gasket	Silicone Rubber
Electrical	Normal Impedance	50 Ω
	VSWR	Straight DC~18GHz Max 1.05+0.01 × f, Right Angle DC~6GHz Max 1.05+0.03 × f, f: Frequency (GHz)
	Insertion Loss	0.05 × √f: Frequency(GHz)
	Insulation Resistance	DC 500V 5,000MΩ Min
	Contact Resistance	Inner Conductor : 3mΩ Max, Outer Conductor : 2mΩ Max
Mechanical	Coupling Nut Retention Force	65Kgf Min (Stainless Steel Coupling Nut)
	Coupling Nut Mating Force	Proof Torque : 16.5Kgf. Cm, Recommended Mating Torque : 8~12 Kgf. Cm
	Center Force	Engage :1.35Kgf Max, Disengage : 0.03Kgf Min
	Connector Durability	500 Cycles MIL-C-39012
Environmental	Vibration	MIL-STD-202, Method 204
	Thermal Shock	MIL-STD-202, Method 107D, Test Condition B
	Corrosion (Salt Spray)	MIL-STD-202, Method 101D, Test Condition B
	Humidity (Steady State)	MIL-STD-202, Method 103B, Test Condition B

This specification covers the normal item among SMA connector. Inquire separately for detailed specification.

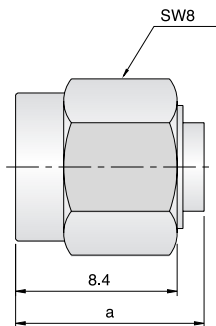
For Semi-Rigid Cable



Straight Jack, Solder

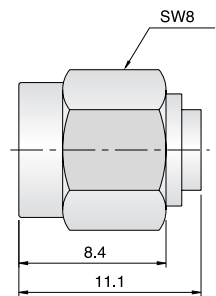
Part Number	Cable Type	Finish	Remarks
KCN4011200000	RG-402/U(.141")	Gold	
KCN4011200010	RG-402/U(.085")	Gold	
KCN4011200020	.047"	Gold	

Straight Plug(Without Contact), Solder



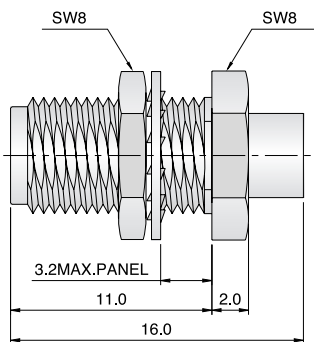
Part Number	Cable Type	Finish		Remarks
		Coupling Nut	Housing	
KCN4012200000	RG-402/U(.141")	Passivity	Gold	a=9.8
KCN4012200010	RG-402/U(.141")	Passivity	Gold	a=8.7

Straight Plug, Solder



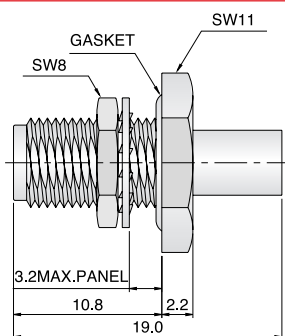
Part Number	Cable Type	Finish		Remarks
		Coupling Nut	Housing	
KCN4012200020	RG-402/U(.141")	Passivity	Gold	
KCN4012200030	RG-405/U(.085")	Passivity	Gold	
KCN4012200060	.047"	Passivity	Gold	

Bulkhead Jack, Solder



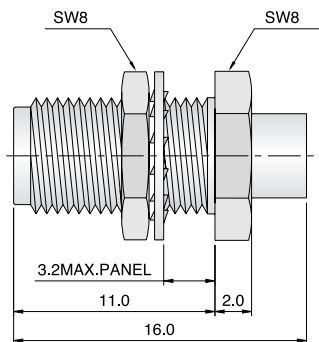
Part Number	Cable Type	Mounting Hole	Finish		Remarks
			Coupling Nut	Housing	
KCN4021200000	RG-402/U(.141")	ML 06	Gold		SUS
KCN4021200010	RG-405/U(.085")	ML 06	Gold		SUS
KCN4021200080	.047"	ML 06	Gold		SUS
KCN4021200100	RG-405/U(.085")	ML 06	Gold		

Bulkhead Jack, Solder



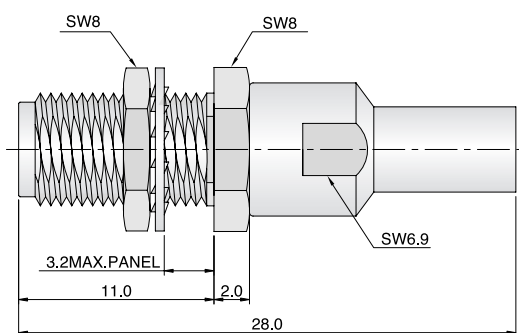
Part Number	Cable Type	Mounting Hole	Finish		Remarks
			Coupling Nut	Housing	
KCN4021200020	RG-402/U(.141")	ML 06	Gold		
KCN4021200030	RG-405/U(.085")	ML 06	Gold		
KCN4021200090	RG-405/U(.085")	ML 06	Gold		SUS

For Semi-Rigid Cable



Bulkhead Jack, Solder

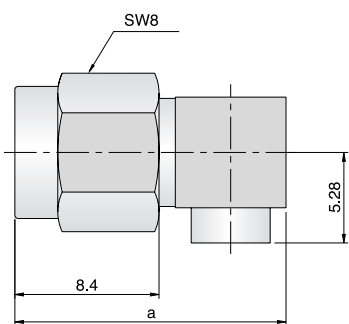
Part Number	Cable Type	Mounting Hole	Finish	Remarks
KCN4021200060	RG-402/U(.141")	ML 05	Gold	SUS



Bulkhead Jack, Solder

Part Number	Cable Type	Mounting Hole	Finish	Remarks
KCN4021200130	RG-402/U(.141")	ML 06	Sliver	PIMD Type

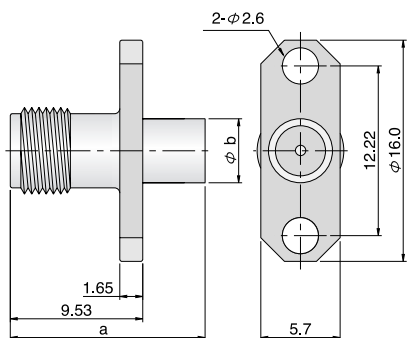
SMA



Right Angle Plug, Solder

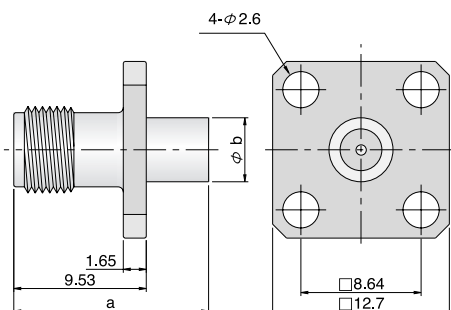
Part Number	Cable Type	Finish		Remarks
		Coupling Nut	Housing	
KCN4032200000	RG-402/U	Passivity	Gold	a=15.8
KCN4032200010	RG-405/U(.085")	Passivity	Gold	a=15.8
KCN4032200020	RG-405/U(.085")	Passivity	Gold	a=13.9
KCN4032200030	RG-402/U(.141")	Passivity	Gold	a=15.8
KCN4032200040	RG-402/U(.141")	Passivity	Gold	a=15.8:High Freq.Type
KCN4032200050	RG-405/U(.085")	Passivity	Gold	a=15.8:High Freq.Type

Flange Jack, Solder



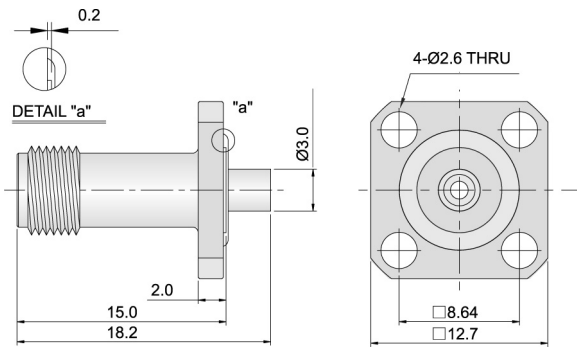
Part Number	Cable Type	Flange Type	Finish	Remarks
KCN4041200000	RG-402/U(.141")	2 Hole	Gold	SUS, a=14.2 ; b=4.6
KCN4041200010	RG-405/U(.085")	2 Hole	Gold	SUS, a=12.7 ; b=3.0
KCN4041200020	.047"	2 Hole	Gold	a=12.7 ; b=3.0

Flange Jack, Solder



Part Number	Cable Type	Mounting Hole	Finish	Remarks
KCN4043200000	RG-402/U(.141")	ML 03	Gold	SUS, a=14.2 ; b=4.6
KCN4043200010	RG-405/U(.085")	ML 03	Gold	SUS, a=12.7 ; b=3.0
KCN4043200020	.047"	ML 03	Gold	SUS, a=12.7 ; b=3.0
KCN4043200050	RG-405/U(.085")	ML 03	Gold	a=12.7 ; b=3.0
KCN4043200060	RG-402/U(.141")	ML 03	Gold	a=14.2 ; b=4.6

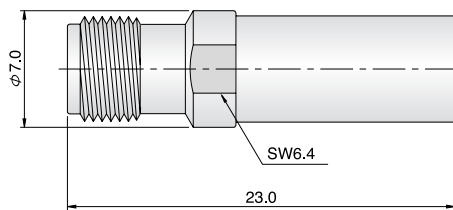
For Semi-Rigid Cable



Flange Jack, Solder

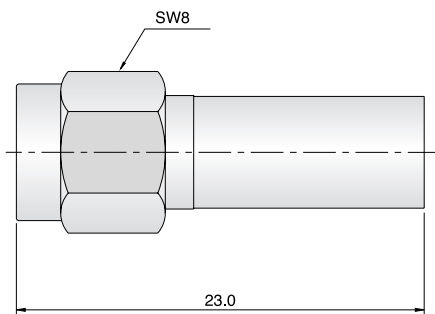
Part Number	Mounting Hole	Finish	Remarks
KCN4021110880	ML 07	TCP	IP67

For Flexible Cable



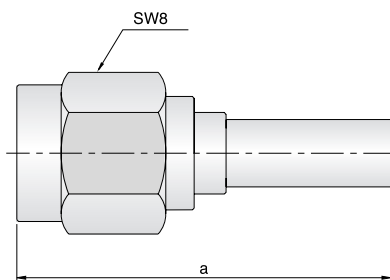
Straight Jack, Crimp

Part Number	Cable Type	Finish	Remarks
KCN4011210000	RG-400/U, RG-142B/U	Gold	



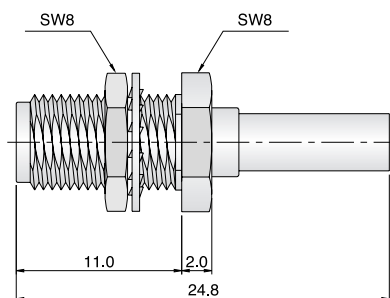
Straight Plug, Crimp

Part Number	Cable Type	Finish		Remarks
		Coupling Nut	Housing	
KCN4012210000	RG-400/U, RG-142B/U	Passivity	Gold	
KCN4012210070	LMR200	Gold	Gold	



Straight Plug, Crimp

Part Number	Cable Type	Finish		Remarks
		Coupling Nut	Housing	
KCN4012210010	RG-316/U	Passivity	Gold	a=21.1
KCN4012210020	RG-178B/U	Passivity	Gold	a=17.3

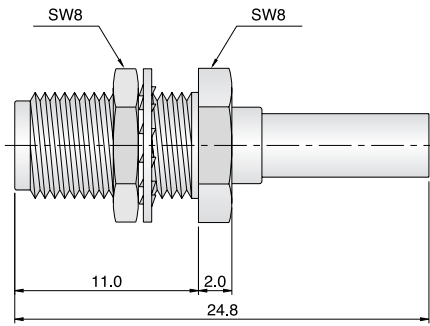


Bulkhead Jack, Crimp

Part Number	Cable Type	Mounting Hole	Finish	Remarks
KCN4021210010	RG-316/U	ML 06	Gold	

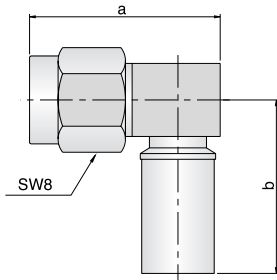


For Flexible Cable



Bulkhead Jack, Crimp

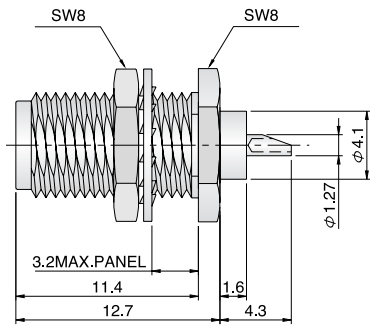
Part Number	Cable Type	Mounting Hole	Finish	Remarks
KCN4021200050	RG-316/U	ML 05	Gold	



Right Angle Plug, Crimp

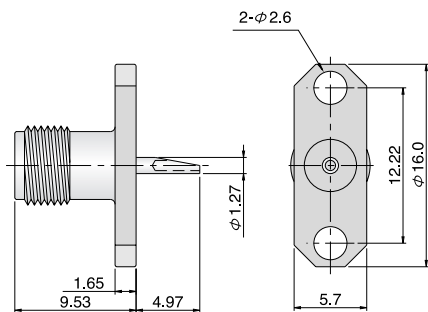
Part Number	Cable Type	Finish Coupling Nut	Housing	Remarks
KCN4032210000	RG-400/U, RG-142B/U	Passivity	Gold	a=16.7 ; b=21.4
KCN4032210010	RG-316/U	Passivity	Gold	a=15.82 ; b=18.05
KCN4032210040	RG-174/U	Passivity	Ni	a=16.7 ; b=16.6

Solder and Coaxial Version



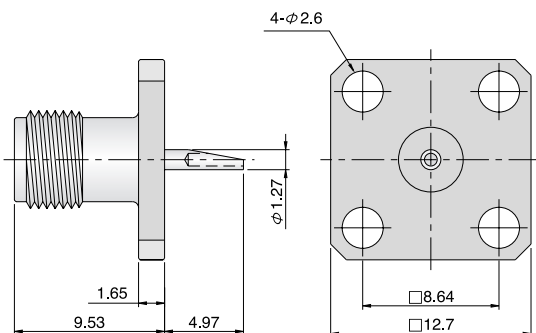
Bulkhead Jack, Solder Pot

Part Number	Mounting Hole	Finish	Remarks
KCN4021100000	ML 06	Passivity	SUS



Flange Jack, Solder Pot

Part Number	Flange Type	Finish	Remarks
KCN4041100000	2 Hole	Passivity	SUS

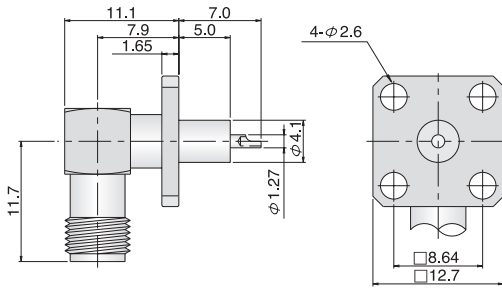


Flange Jack, Solder Pot

Part Number	Flange Type	Finish	Remarks
KCN4043100000	Square	Passivity	

SMA

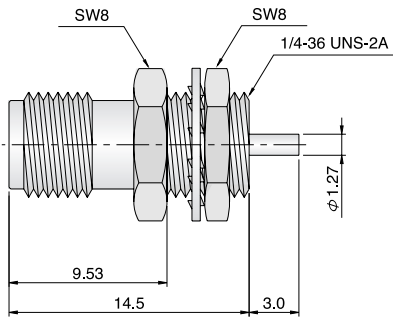
Solder and Coaxial Version



Right Angle Flange Jack, Solder Pot

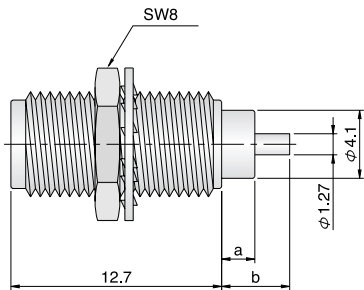
Part Number	Flange Type	Finish	Remarks
KCN4037100000	Square	Gold	

Bulkhead Jack, Straight Terminal



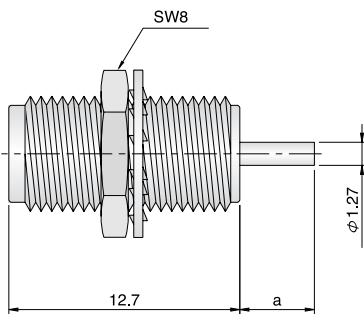
Part Number	Mounting Hole	Finish	Remarks
KCN4021110000	ML 05	Passivity	SUS
KCN4021110460	ML 05	Gold	

Bulkhead Jack, Straight Terminal



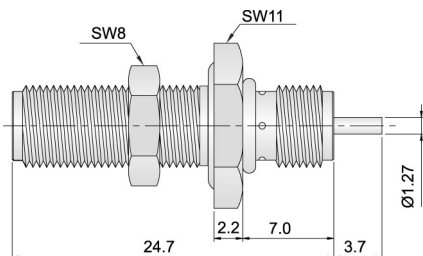
Part Number	Mounting Hole	Finish	Remarks
KCN4021110030	ML 07	Passivity	SUS, a=2.0 ; b=4.0
KCN4021110360	ML 07	Passivity	SUS, a=2.0 ; b=5.0

Bulkhead Jack, Straight Terminal



Part Number	Mounting Hole	Finish	Remarks
KCN4021110310	ML 07	Passivity	SUS, a=7.9
KCN4021110330	ML 07	Passivity	SUS, a=5.0

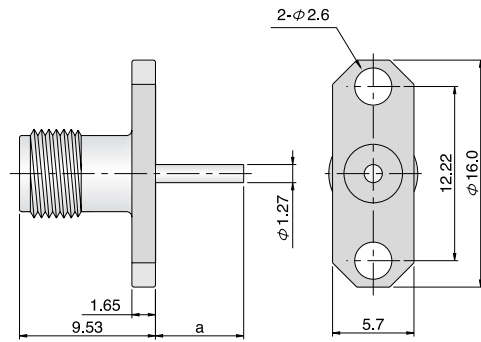
Bulkhead Jack, Straight Terminal



Part Number	Mounting Hole	Finish	Remarks
KCN4021110880	ML 07	TCP	IP67

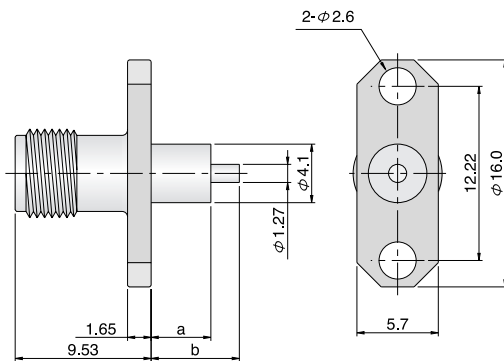


Solder and Coaxial Version



Flange Jack, Straight Terminal

Part Number	Flange Type	Finish	Remarks
KCN4041110060	2 Hole	Passivity	SUS, a=11.0
KCN4041110110	2 Hole	Passivity	SUS, a=9.0

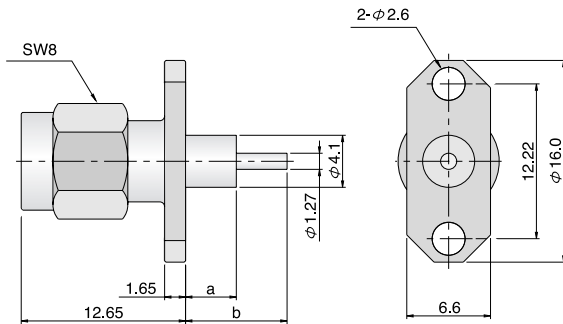


Flange Jack, Straight Terminal

Part Number	Flange Type	Finish	Remarks
KCN4041110070	2 Hole	Passivity	SUS, a=3.8 ; b=6.8
KCN4041110270	2 Hole	Passivity	SUS, a=5.0 ; b=10.0
KCN4041110280	2 Hole	Passivity	SUS, a=5.0 ; b=8.0
KCN4041110320	2 Hole	Passivity	SUS, a=5.0 ; b=7.0

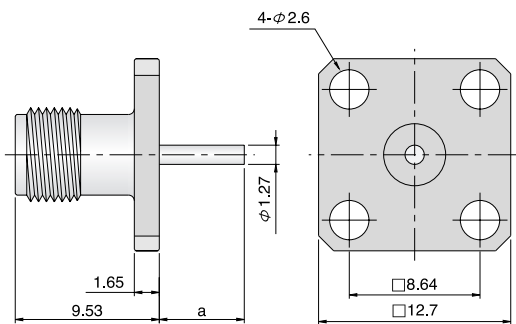
SMA

Flange Plug, Straight Terminal



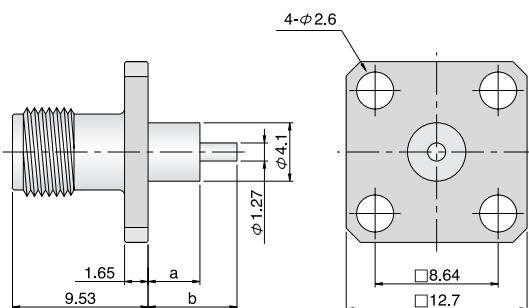
Part Number	Flange Type	Finish	Coupling Nut	Housing	Remarks
KCN4042110000	2 Hole	Passivity		Gold	a=4.0 ; b=8.0
KCN4042110010	2 Hole	Passivity		Gold	a=0.0 ; b=5.1
KCN4042110040	2 Hole	Passivity		Gold	a=5.0 ; b=9.0
KCN4042110050	2 Hole	Passivity		Gold	a=4.0 ; b=6.0

Flange Jack, Straight Terminal



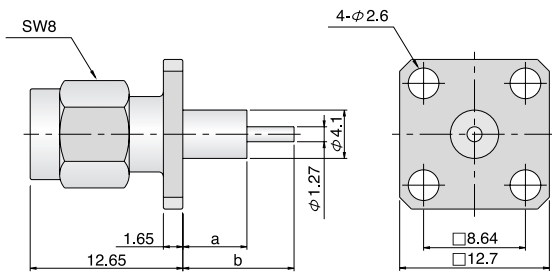
Part Number	Flange Type	Finish	Remarks
KCN4043110010	Square	Passivity	SUS, a=11.0
KCN4043110120	Square	Passivity	SUS, a=9.0

Flange Jack, Straight Terminal



Part Number	Flange Type	Finish	Remarks
KCN4043110180	Square	Passivity	SUS, a=5.0 ; b=10.0
KCN4043110190	Square	Passivity	SUS, a=3.3 ; b=9.0
KCN4043110220	Square	Passivity	SUS, a=4.0 ; b=8.0
KCN4043110340	Square	Passivity	SUS, a=5.0 ; b=7.0

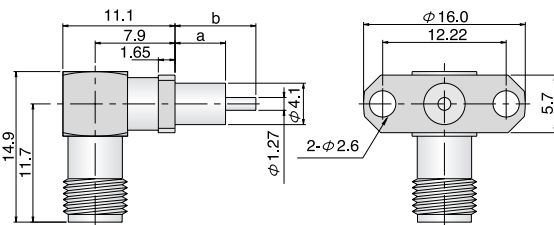
Solder and Coaxial Version



Flange Plug, Straight Terminal

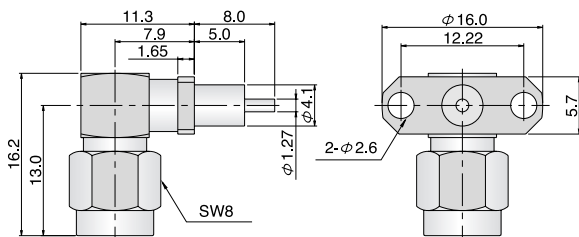
Part Number	Flange Type	Finish		Remarks
		Coupling Nut	Housing	
KCN4044110000	Square	Passivity	Gold	a=8.4 ; b=12.4
KCN4044110030	Square	Passivity	Gold	a=5.0 ; b=9.0
KCN4044110040	Square	Passivity	Gold	a=5.0 ; b=7.0
KCN4044110050	Square	Passivity	Gold	a=7.0 ; b=10.0

Right Angle Flange Jack, Straight Terminal



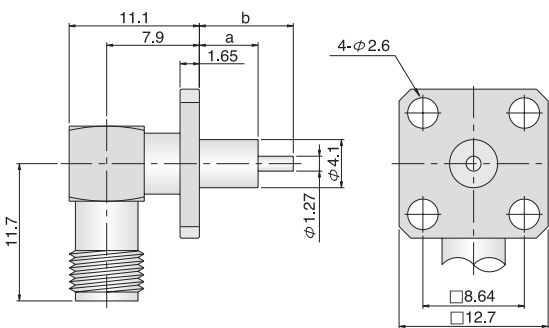
Part Number	Flange Type	Finish	Remarks
KCN4035110000	2 Hole	Gold	a=5.0 ; b=8.0
KCN4035110010	2 Hole	Gold	a=0.0 ; b=6.0
KCN4035110020	2 Hole	Ni	a=5.0 ; b=10.0
KCN4035110030	2 Hole	Gold	a=4.0 ; b=5.5

Right Angle Flange Plug, Straight Terminal



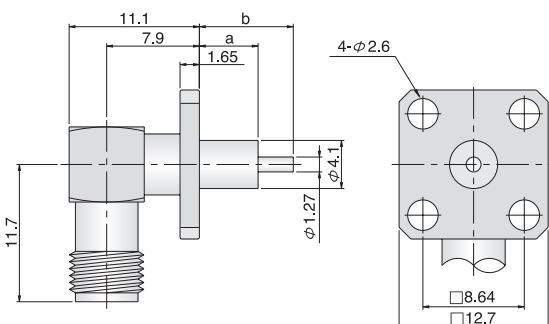
Part Number	Flange Type	Finish		Remarks
		Coupling Nut	Housing	
KCN4036110000	2 Hole	Passivity	Gold	

Right Angle Flange Jack, Straight Terminal



Part Number	Flange Type	Finish	Remarks
KCN4037110000	Square	Gold	a=5.0 ; b=8.0
KCN4037110010	Square	Gold	a=5.0 ; b=7.0
KCN4037110020	Square	Gold	a=3.0 ; b=4.4
KCN4037110030	Square	Gold	a=5.0 ; b=10
KCN4037110040	Square	Gold	a=0.0 ; b=9.0

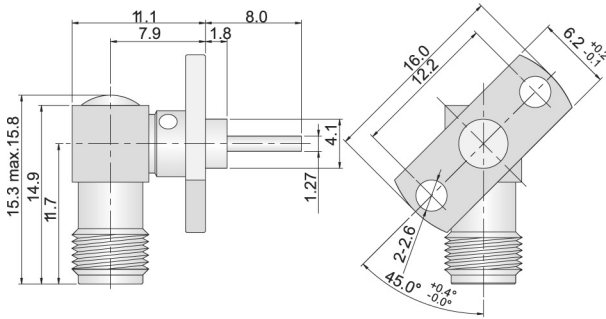
End Launch Jack, Straight Terminal



Part Number	Mounting Hole	Finish	Remarks
KCN4061090000	Refer to Drawing	Gold	



Solder and Coaxial Version



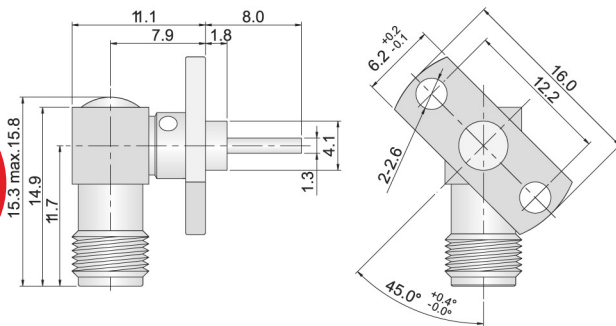
Flange Jack , Straight Terminal

Part Number	Mounting Hole	Finish	Remarks
KCN4035110140	-	Gold	
KCN4035110141	-	Ni	

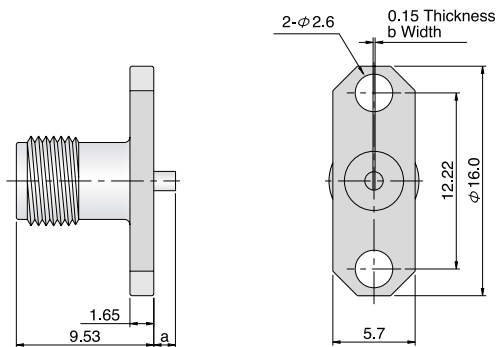
Flange Jack , Straight Terminal

Part Number	Mounting Hole	Finish	Remarks
KCN4035110150	-	Gold	
KCN4035110151	-	Ni	

SMA

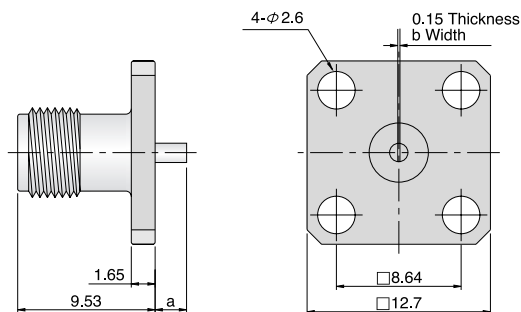


Stripline and microstrip Launchers



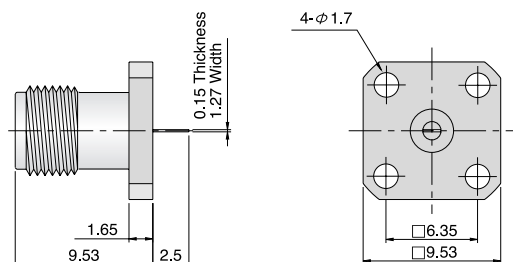
Flange Jack, Tab Contact

Part Number	Flange Type	Finish	Remarks
KCN4041140060	2 Hole	Passivity	SUS, a=1.5 ; b=1.27
KCN4041140070	2 Hole	Gold	SUS, a=1.75 ; b=0.7



Flange Jack, Tab Contact

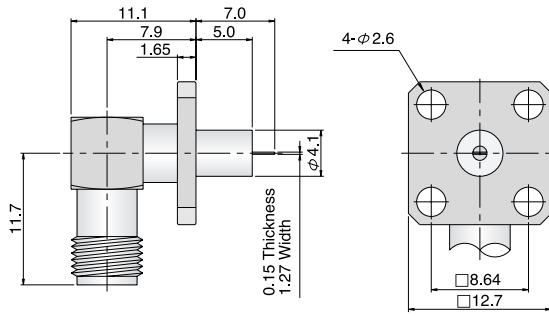
Part Number	Flange Type	Finish	Remarks
KCN4043140000	Square	Passivity	SUS, a=2.5 ; b=1.27
KCN4043140090	Square	Passivity	SUS, a=1.0 ; b=1.0



Flange Jack, Tab Contact

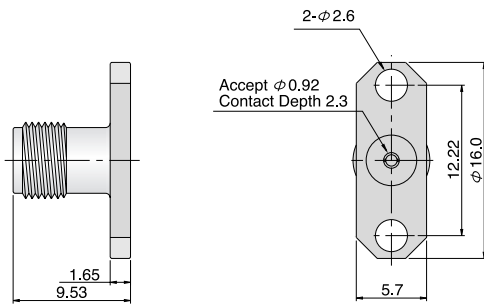
Part Number	Flange Type	Finish	Remarks
KCN4043140040	Square	Gold	

Stripline and microstrip Launchers



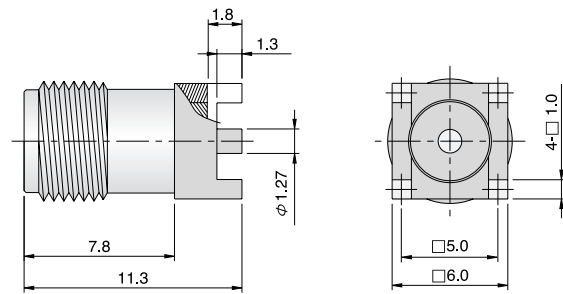
Right Angle Flange Jack, Tab Contact

Part Number	Flange Type	Finish	Remarks
KCN4037140000	Square	Gold	



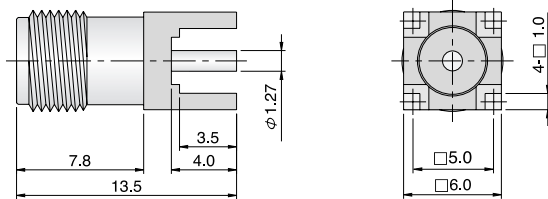
Flange Jack, Socket Contact

Part Number	Flange Type	Finish	Remarks
KCN4041150040	2 Hole	Passivity	SUS



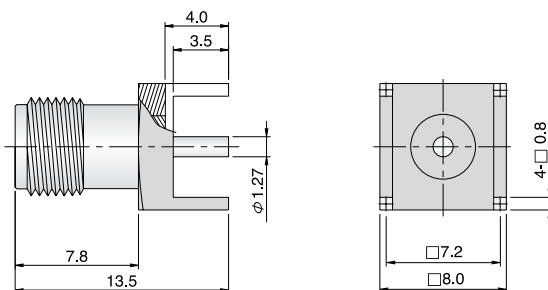
Straight Jack

Part Number	Mounting Hole	Finish	Remarks
KCN4051110010	ML 08	Gold	



Straight Jack

Part Number	Mounting Hole	Finish	Remarks
KCN4051110020	ML 08	Gold	

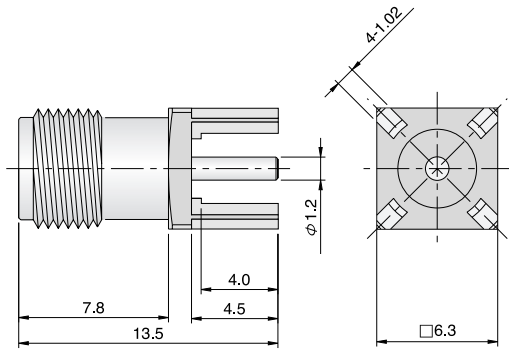


Straight Jack

Part Number	Mounting Hole	Finish	Remarks
KCN4051110030	ML 09	Gold	

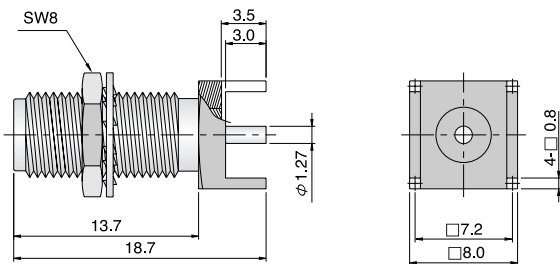


Straight Jack



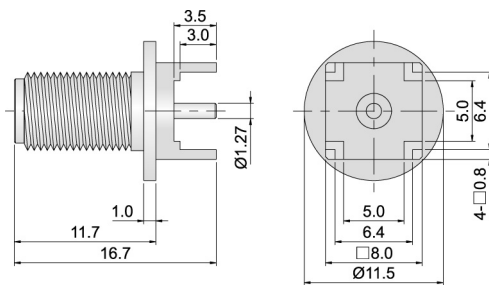
Part Number	Mounting Hole	Finish	Remarks
KCN4051110050	ML 10	Gold	

Bulkhead Jack



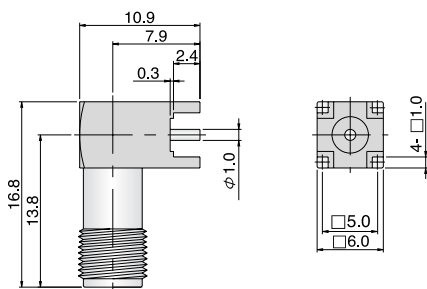
Part Number	Mounting Hole	Finish	Remarks
KCN4052110000	ML 05, ML 09	Gold	

Bulkhead Jack



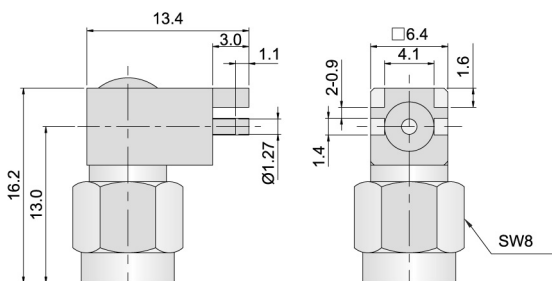
Part Number	Mounting Hole	Finish	Remarks
KCN4052110030	-	Gold	

Right Angle Jack



Part Number	Mounting Hole	Finish	Remarks
KCN4053110000	ML 08	Gold	

Right Angle Plug

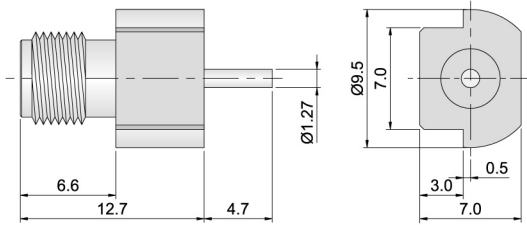


Part Number	Mounting Hole	Finish	Remarks
KCN4055110000	-	Gold	

SMA

END LAUNCH Connectors

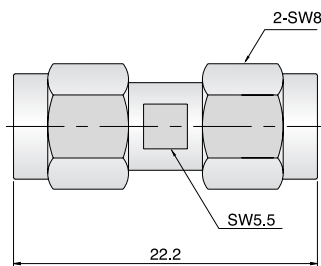
Straight Jack



Part Number	Flange Type	Finish	Remarks
KCN4061110000	-	Gold	

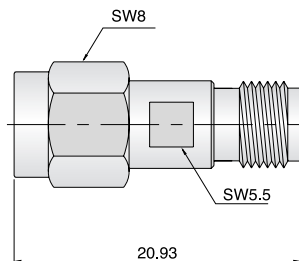
In-Series Adapters

Straight Adapter Plug to Plug



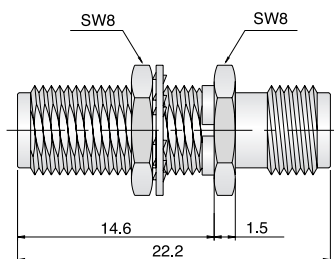
Part Number	Finish	Remarks
KAD4040110000	Passivity	SUS

Straight Adapter Plug to Jack



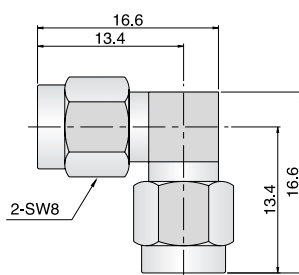
Part Number	Finish	Remarks
KAD4040310000	Passivity	SUS

Bulkhead Adapter Jack to Jack



Part Number	Mounting Hole	Finish	Remarks
KAD4040220000	ML 06	Passivity	SUS

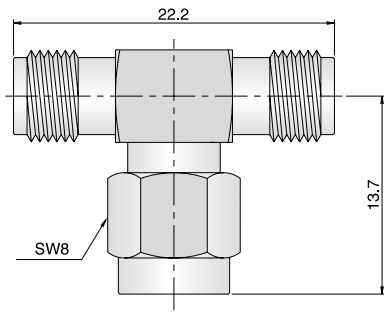
Right Angle Adapter Plug to Plug



Part Number	Finish	Remarks	
	Coupling Nut	Housing	
KAD4040130000	Passivity	Gold	

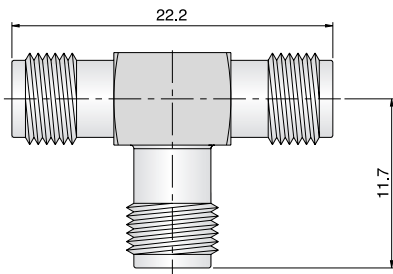


T-Adapter 1 Plug to 2 Jack



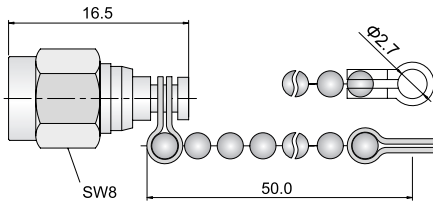
Part Number	Finish		Remarks
	Coupling Nut	Housing	
KCN4093000000	Passivity	Gold	

T-Adapter 3 Jack



Part Number	Finish		Remarks
	Coupling Nut	Housing	
KCN4095000000	Gold		

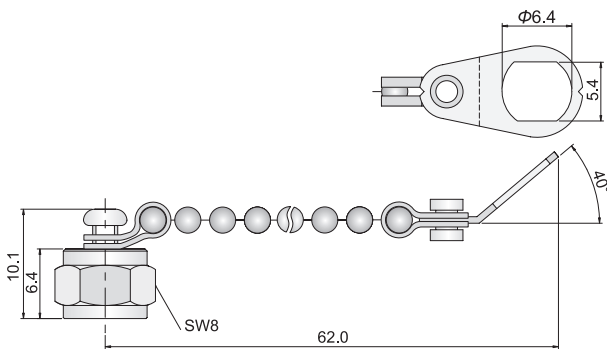
Connectors for Protective Cap



Cap with chain for Jack

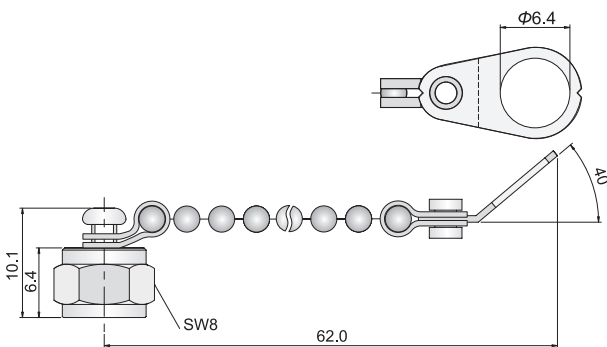
Part Number	Finish		Remarks
	Coupling Nut	Housing	
KCN4012000000	Ni		

Cap with chain for Jack



Part Number	Finish		Remarks
	Coupling Nut	Housing	
KCN4080000000	Ni		

Cap with chain for Jack



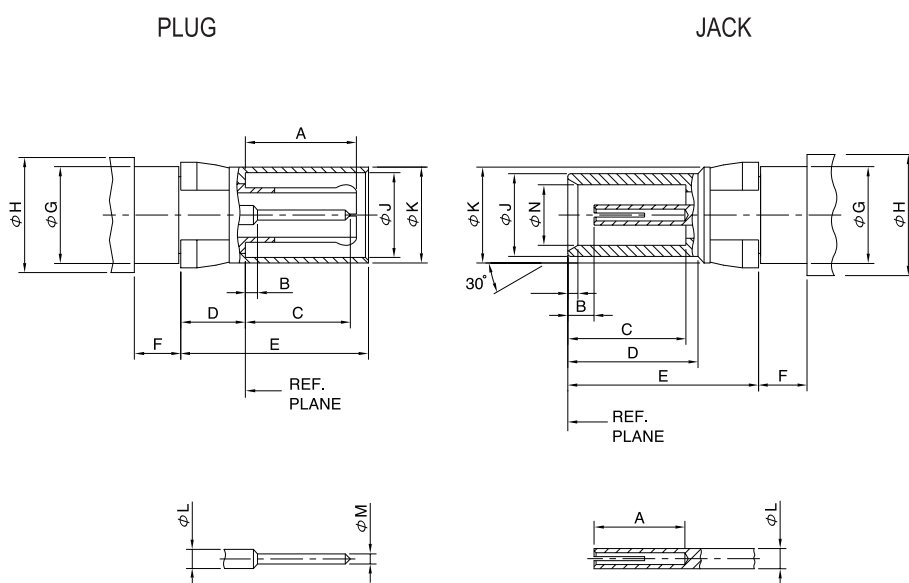
Part Number	Finish		Remarks
	Coupling Nut	Housing	
KCN4080000030	Ni		

SMA

DIN 41626 series



Interface mating dimensions



	PLUG	
	Min(mm)	Max(mm)
A	5.40	5.70
B	-	1.15
C	5.20	5.50
D	3.05	3.20
E	9.25	9.35
F	2.22	2.40
G	4.76	4.79
H	-	6.00
J	4.20	4.28
K	4.66	4.78
L	1.00 Normal	
M	0.48	0.52

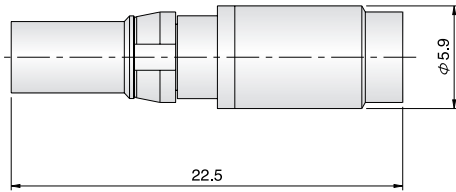
	JACK	
	Min(mm)	Max(mm)
A	4.50	-
B	1.15	1.45
C	5.80	5.90
D	6.40	6.50
E	9.50	9.60
F	2.22	2.40
G	4.76	4.79
H	-	6.00
J	4.03	4.15
K	4.72	4.75
L	1.00 Normal	
M	0.50	0.60
N	3.00	3.06

DIN 41626

	REQUIREMENT	SPECIFICATION
Material	Body	Brass Gold Plated
	Retaining Ring	Beryllium Copper Nickel Plated
	Center Contacts	Brass or Beryllium Copper Gold Plated
	Insulator	PTFE Teflon
Electrical	Normal Impedance	50 Ω
	VSWR	Straight DC~4GHz Max 1.30 Right Angle DC~3GHz Max 1.35
	Insertion Loss	$0.07 \times \sqrt{f}$: Frequency(GHz)
	Insulation Resistance	DC 500V 3,000M Ω Min
	Contact Resistance	Inner Conductor : 5.0m Ω Max, Outer Conductor : 2.5m Ω Max
Mechanical	Outer Force	Engage :1.3Kgf Max, Disengage : 0.05Kgf Min
	Center Force	Engage :0.8Kgf Max, Disengage : 0.03Kgf Min
	Connector Durability	500 Cycles MIL-C-39012
Environmental	Vibration	MIL-STD-202, Method 204
	Thermal Shock	MIL-STD-202, Method 107D, Test Condition B
	Corrosion (Salt Spray)	MIL-STD-202, Method 101D, Test Condition B
	Humidity (Steady State)	MIL-STD-202, Method 103B, Test Condition B

This specification covers the normal item among DIN 41626 connector. Inquire separately for detailed specification.

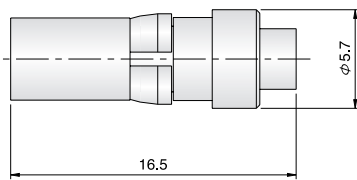
For Semi-Rigid Cable



Straight Jack, Solder

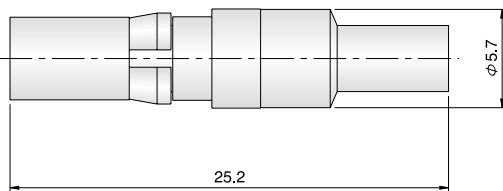
Part Number	Cable Type	Finish	Remarks
KCN5111200000	RG-402/U(.141")	Gold	

Straight Plug, Solder



Part Number	Cable Type	Finish	Remarks
KCN5112200000	RG-405/U(.085")	Gold	

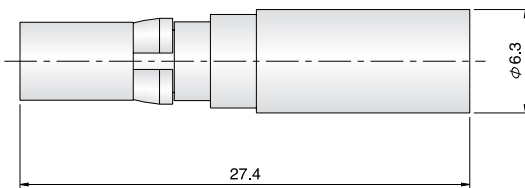
For Flexible Cable



Straight Plug, Crimp

Part Number	Cable Type	Finish	Remarks
KCN5112210000	RG-316/U	Gold	

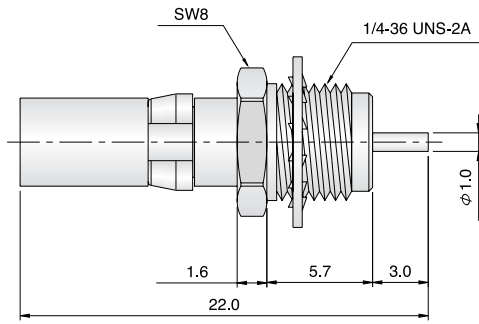
Straight Plug, Crimp



Part Number	Cable Type	Finish	Remarks
KCN5112210010	RG-400/U, RG-142B/U	Gold	

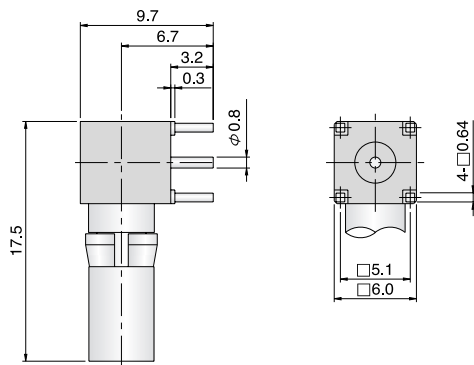
DIN 41626

Bulkhead Plug, Straight Terminal



Part Number	Mounting Hole	Finish	Remarks
KCN5122110000	ML 07	Gold	

Right Angle Plug



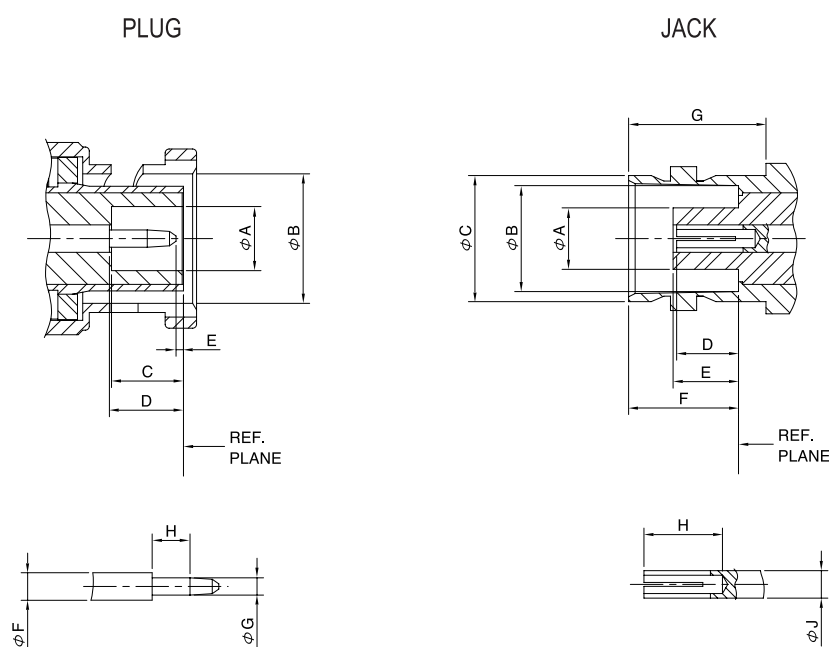
Part Number	Mounting Hole	Finish	Remarks
KCN5155110000	ML 23	Gold	

DIN 41626

BNC series



Interface mating dimensions



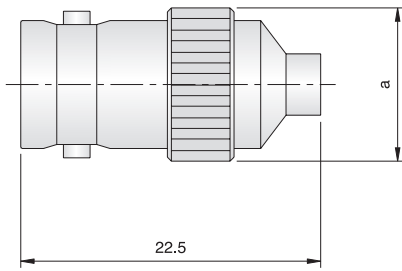
	PLUG	
	Min(mm)	Max(mm)
A	4.83	-
B	9.78	9.91
C	5.28	5.79
D	5.33	5.84
E	0.08	-
F	2.06	2.21
G	1.32	1.37
H	1.98	-

	JACK	
	Min(mm)	Max(mm)
A	-	4.72
B	8.10	8.15
C	9.60	9.70
D	4.72	5.23
E	4.78	5.28
F	8.31	8.51
G	10.52	-
H	4.95	-
J	2.06	2.21

	REQUIREMENT	SPECIFICATION
Material	Body	Brass Gold Plated, Nickel Plated
	Coupling Nut	Brass Nickel Plated
	Center Contacts	Brass or Beryllium Copper Gold Plated
	Insulator	PTFE Teflon
	Gasket	Silicone Rubber
Electrical	Normal Impedance	50 Ω
	VSWR	Straight DC~30GHz Max 1.35
	Insertion Loss	$0.2 \times f \sqrt{f}$: Frequency(GHz)
	Insulation Resistance	DC 500V 5,000M Ω Min
	Contact Resistance	Inner Conductor : 1.5m Ω Max, Outer Conductor : 1m Ω Max
Mechanical	Coupling Nut Retention Force	45.9Kgf Min
	Coupling Nut Torque	Not applicable
	Center Force	Engage :0.9Kgf Max, Disengage : 0.06Kgf Min
	Connector Durability	500 Cycles MIL-C-39012
Environmental	Vibration	MIL-STD-202, Method 204
	Thermal Shock	MIL-STD-202, Method 107D, Test Condition B
	Corrosion (Salt Spray)	MIL-STD-202, Method 101D, Test Condition B
	Humidity (Steady State)	MIL-STD-202, Method 103B, Test Condition B

This specification covers the normal item among BNC connector. Inquire separately for detailed specification.

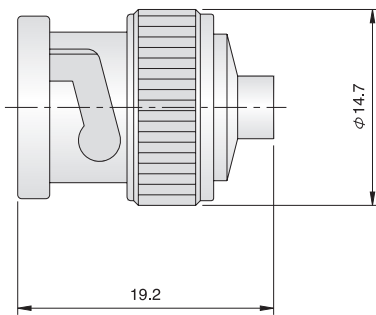
For Semi-Rigid Cable



Straight Jack, Solder

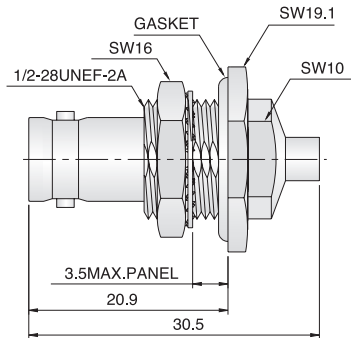
Part Number	Cable Type	Finish	Remarks
KCN7011200010	RG-402/U(.085")	Gold	a=φ11.5
KCN7011200020	RG-402/U(.141")	Gold	a=φ12.0

Straight Plug, Solder



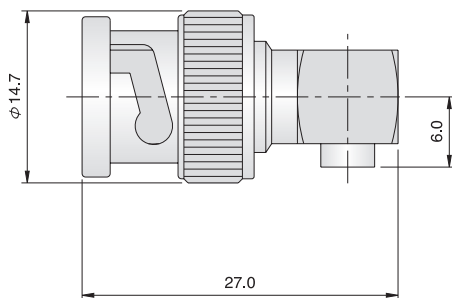
Part Number	Cable Type	Finish		Remarks
		Coupling Nut	Housing	
KCN7012200000	RG-402/U(.141")	Ni	Gold	
KCN7012200010	RG-402/U(.085")	Ni	Gold	

Bulkhead Jack, Solder



Part Number	Cable Type	Mounting Hole	Finish		Remarks
			Coupling Nut	Housing	
KCN7021200000	RG-402/U(.141")	ML 11	Ni		
KCN7021200010	RG-405/U(.085")	ML 11	Ni		

Right Angle Plug, Solder



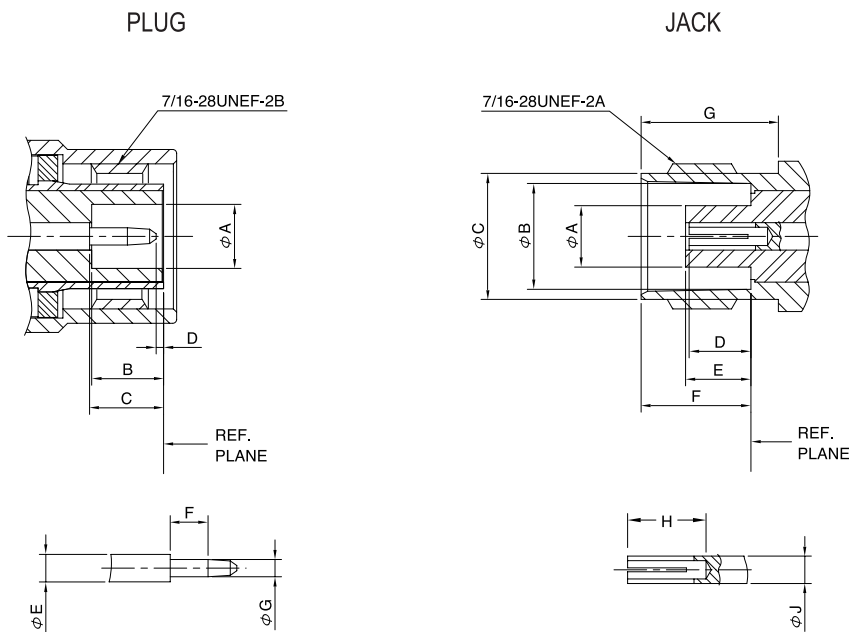
Part Number	Cable Type	Finish		Remarks
		Coupling Nut	Housing	
KCN7032200000	RG-402/U(.141")	Ni	Gold	

BNC

TNC series



Interface mating dimensions



	PLUG	
	Min(mm)	Max(mm)
A	4.83	-
B	5.28	5.79
C	5.33	5.84
D	0.08	-
E	2.06	2.21
F	1.98	-
G	1.32	1.37

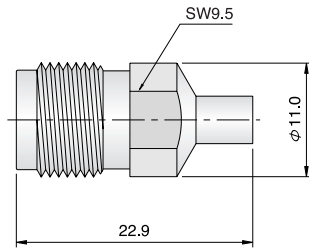
	JACK	
	Min(mm)	Max(mm)
A	-	4.72
B	8.10	8.15
C	9.60	9.70
D	4.72	5.23
E	4.78	5.28
F	8.31	8.51
G	10.52	-
H	4.95	-
J	2.06	2.21

TNC

	REQUIREMENT	SPECIFICATION
Material	Body	Brass Gold Plated, Nickel Plated, 3Mat'l Plated
	Coupling Nut	Brass Nickel Plated
	Center Contacts	Brass or Beryllium Copper Gold Plated
	Insulator	PTFE Teflon
	Gasket	Silicone Rubber
Electrical	Normal Impedance	50Ω
	VSWR	Straight DC~3GHz Max 1.30
	Insertion Loss	0.2 × f √f : Frequency(GHz)
	Insulation Resistance	DC 500V 7,000MΩ Min
	Contact Resistance	Inner Conductor : 1.5mΩ Max, Outer Conductor : 1mΩ Max
Mechanical	Coupling Nut Retention Force	45.9Kgf Min
	Coupling Nut Mating Force	Proof Torque : 16.5Kgf.Cm Min, Recommended Mating Torque :4.5~7Kgf. Cm
	Center Force	Engage :0.9Kgf Max, Disengage : 0.06Kgf Min
	Connector Durability	500 Cycles MIL-C-39012
Environmental	Vibration	MIL-STD-202, Method 204
	Thermal Shock	MIL-STD-202, Method 107D, Test Condition B
	Corrosion (Salt Spray)	MIL-STD-202, Method 101D, Test Condition B
	Humidity (Steady State)	MIL-STD-202, Method 103B, Test Condition B

This specification covers the normal item among TNC connector. Inquire separately for detailed specification.

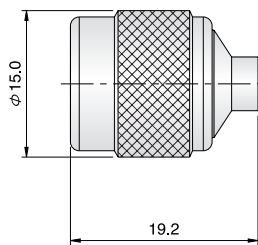
For Semi-Rigid Cable



Straight Jack, Solder

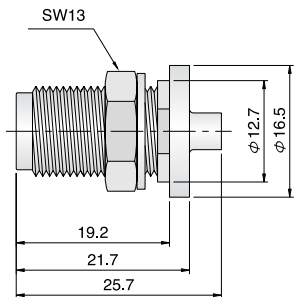
Part Number	Cable Type	Finish	Remarks
KCN7111200000	RG-402/U(.141")	Gold	

Straight Plug, Solder



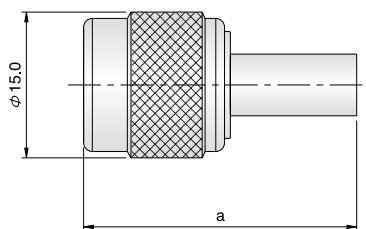
Part Number	Cable Type	Finish		Remarks
		Coupling Nut	Housing	
KCN7112200000	RG-402/U(.141")	Ni	Gold	
KCN7112200010	RG-405/U(.085")	Ni	Gold	
KCN7112200050	.250"	Ni	3Mat'l	

Bulkhead Jack, Solder



Part Number	Cable Type	Mounting Hole	Finish		Remarks
			Coupling Nut	Housing	
KCN7121200000	RG-402/U(.141")	ML 12	Ni	Gold	
KCN7121200010	RG-405/U(.085")	ML12	Ni	Gold	

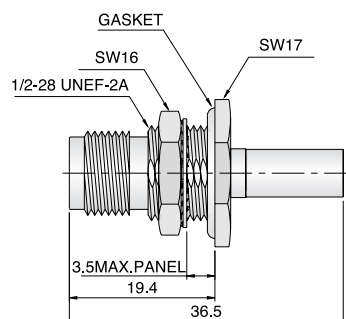
For Flexible Cable



Straight Plug, Crimp

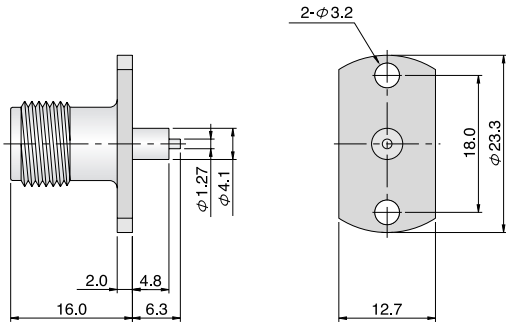
Part Number	Cable Type	Finish	Remarks
KCN7112210000	RG-400/U, RG-142B/U	Ni	a=28.1
KCN7112210010	RG-316/U	Ni	a=25.0

Bulkhead Jack, Crimp



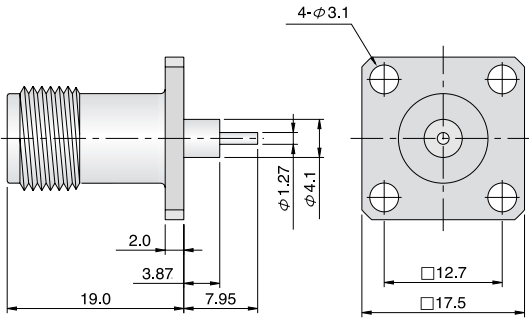
Part Number	Cable Type	Mounting Hole	Finish	Remarks
KCN7112200030	RG-400/U, RG-142B/U	ML 11	Ni	

Solder and Coaxial Version



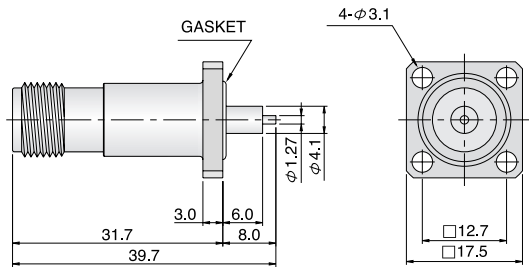
Flange Jack, Straight Terminal

Part Number	Flange Type	Finish	Remarks
KCN7141110010	2 Hole	Ni	



Flange Jack, Straight Terminal

Part Number	Flange Type	Finish	Remarks
KCN7143110010	Square	Ni	



Flange Jack, Straight Terminal

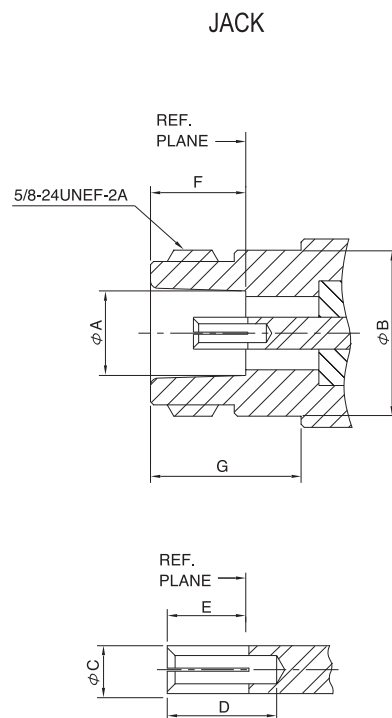
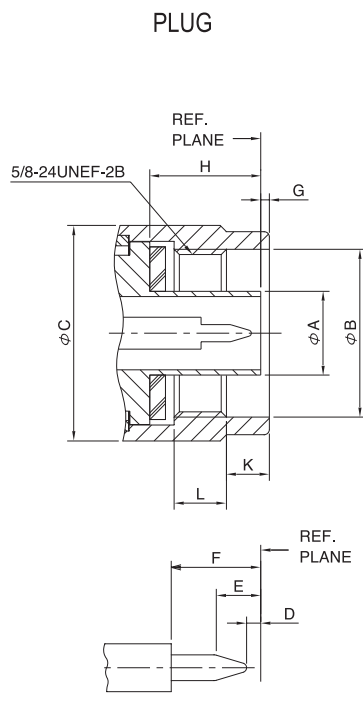
Part Number	Flange Type	Finish	Remarks
KCN7143110020	Square	Ni	

TNC

N series



Interface mating dimensions



PLUG

	Min(mm)	Max(mm)
A	7.95	8.03
B	16.00	-
C	-	21.01
D	0.08	-
E	2.79	3.56
F	5.33	-
G	0.41	1.52
H	10.11	10.46
K	4.01	4.27
L	4.49	-

JACK

	Min(mm)	Max(mm)
A	8.03	8.13
B	-	15.93
C	-	3.15
D	5.33	-
E	4.75	5.26
F	9.04	9.19
G	10.72	-

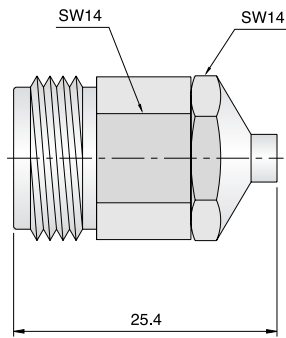
REQUIREMENT

SPECIFICATION

Material	Body	Brass	Gold Plated, Nickel Plated, Silver Plated, 3Mat'l Plated
	Coupling Nut	Brass or Stainless Steel(SUS303)	Nickel Plated, Passivate
	Center Contacts	Brass or Beryllium Copper	Gold Plated, Silver Plated
	Insulator	PTFE Teflon	
	Gasket	Silicone Rubber	
Electrical	Normal Impedance	50 Ω	
	VSWR	Straight DC~6GHz Max 1.3, Right Angle DC~6GHz Max 1.5	
	Insertion Loss	0.07 × √f : Frequency(GHz)	
	Insulation Resistance	DC 500V 7,000MΩ Min	
	Contact Resistance	Inner Conductor : 1mΩ Max, Outer Conductor : 1mΩ Max	
Mechanical	Coupling Nut Retention Force	45.9Kgf Min	
	Coupling Nut Mating Force	Proof Torque:16.5Kgf.Cm Min, Recommended Mating Torque:6.6~11.1Kgf.Cm(Hex Nut 16.5~18.1Kgf.Cm)	
	Center Force	Engage :0.9Kgf Max, Disengage : 0.06Kgf Min	
	Connector Durability	500 Cycles MIL-C-39012	
Environmental	Vibration	MIL-STD-202, Method 204	
	Thermal Shock	MIL-STD-202, Method 107D, Test Condition B	
	Corrosion (Salt Spray)	MIL-STD-202, Method 101D, Test Condition B	
	Humidity (Steady State)	MIL-STD-202, Method 103B, Test Condition B	

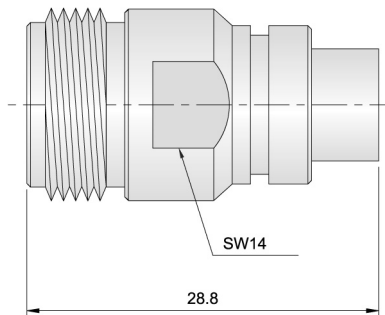
This specification covers the normal item among N Type connector. Inquire separately for detailed specification.

For Semi-Rigid Cable



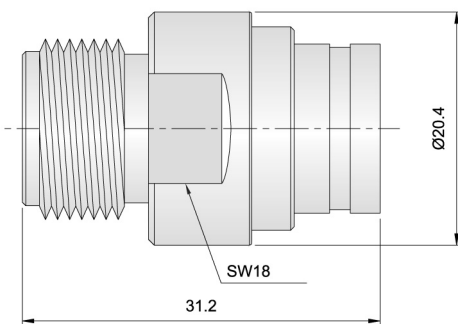
Straight Jack, Solder

Part Number	Cable Type	Finish		Remarks
		Body	Cable Connection	
KCN8011200020	RG-402/U(.141")	Ni	Gold	
KCN8011200030	RG-405/U(.085")	Ni	Gold	



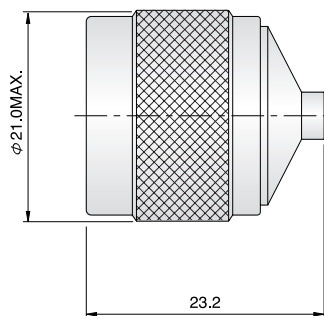
Straight Plug, Solder

Part Number	Cable Type	Finish	Remarks
KCN8011200060	1/4" SF	3MAT'L	



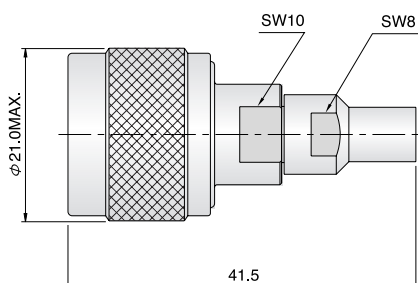
Straight Plug, Solder

Part Number	Cable Type	Finish	Remarks
KCN8011200080	1/2" SF	3MAT'L	



Straight Plug, Solder

Part Number	Cable Type	Finish		Remarks
		Coupling Nut	Housing	
KCN8012200000	RG-402/U(.141")	Ni	Gold	
KCN8012200010	RG-405/U(.085")	Ni	Gold	
KCN8012200020	.250"	Ni	Gold	

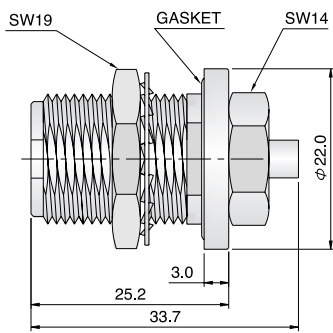


Straight Plug, Solder

Part Number	Cable Type	Finish	Remarks
KCN8012220050	RG-402/U(Jacket)	Ni	

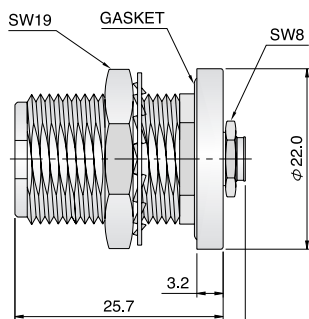
N Type

For Semi-Rigid Cable



Bulkhead Jack, Solder

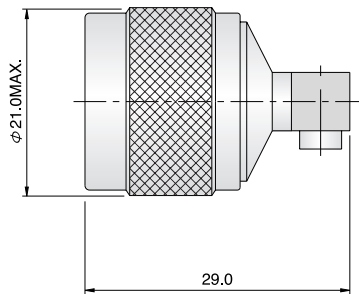
Part Number	Cable Type	Mounting Hole	Body	Finish Cable Connection	Remarks
KCN8021200000	RG-402/U(.141")	ML 13	Ni	Gold	
KCN8021200010	RG-405/U(.085")	ML 13	Ni	Gold	
KCN8021200020	.250"	ML 13	Ni	Gold	



Bulkhead Jack, Solder

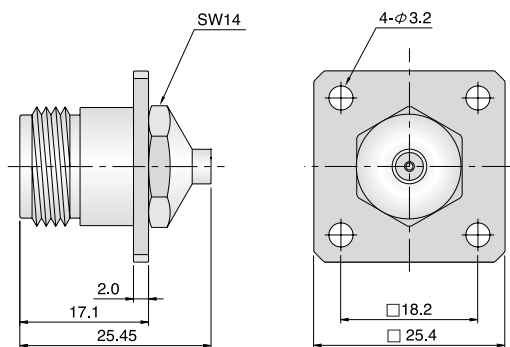
Part Number	Cable Type	Mounting Hole	Finish	Remarks
KCN8021200030	RG-402/U(.141")	ML 13	Ni	
KCN8021200040	RG-405/U(.085")	ML 13	Ni	

Right Angle Plug, Solder



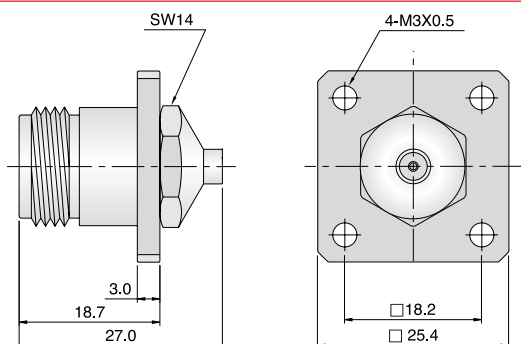
Part Number	Cable Type	Finish Coupling Nut	Housing	Remarks
KCN8032200000	RG-402/U(.141")	Ni	Gold	
KCN8032200010	RG-405/U(.085")	Ni	Gold	

Flange Jack, Solder



Part Number	Cable Type	Mounting Hole	Body	Finish Cable Connection	Remarks
KCN8043200000	RG-402/U(.141")	ML 14	Ni	Gold	
KCN8043200010	RG-405/U(.085")	ML 14	Ni	Gold	

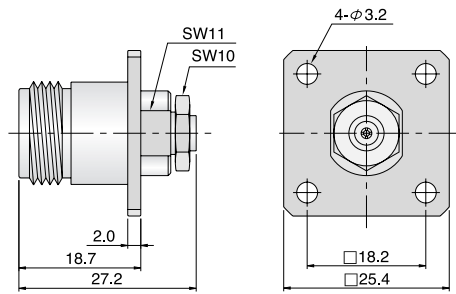
Flange Jack, Solder



Part Number	Cable Type	Mounting Hole	Body	Finish Cable Connection	Remarks
KCN8043200120	RG-402/U(.141")	ML 14	3Mat'l	Gold	

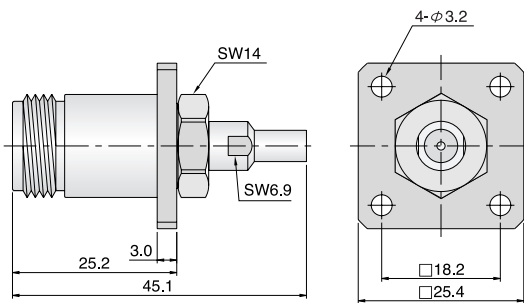
N Type

Flange Jack, Solder



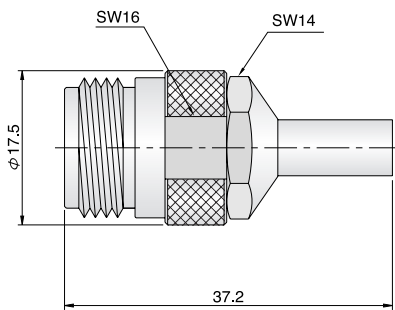
Part Number	Cable Type	Mounting Hole	Finish	Remarks
KCN8043200100	RG-402/U(.141")	ML 15	Ni	

Flange Jack, Solder



Part Number	Cable Type	Mounting Hole	Finish	Remarks
KCN8043200150	RG-402/U(.141")	ML 14	Sliver	PIMD Type

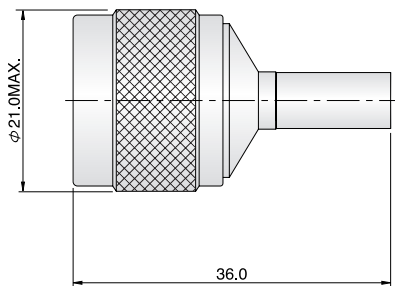
For Flexible Cable



Straight Jack, Crimp

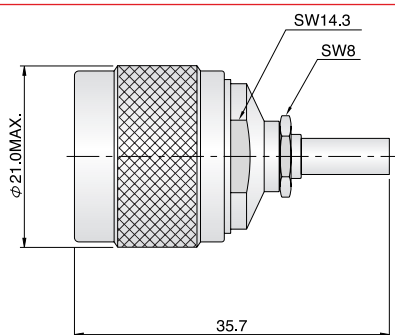
Part Number	Cable Type	Finish	Remarks
KCN8011210000	RG-400/U, RG-142B/U	Ni	

Straight Plug, Crimp



Part Number	Cable Type	Finish	Remarks
KCN8012210000	RG-400/U, RG-142B/U	Ni	
KCN8012210030	SS402	Ni	

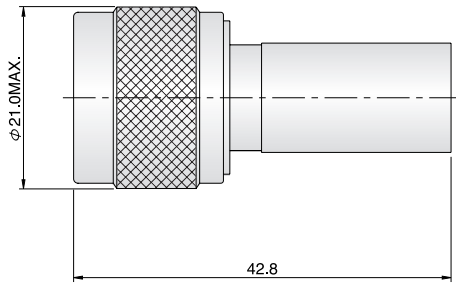
Straight Plug, Crimp



Part Number	Cable Type	Finish	Remarks
KCN8012210010	RG-316/U	Ni	

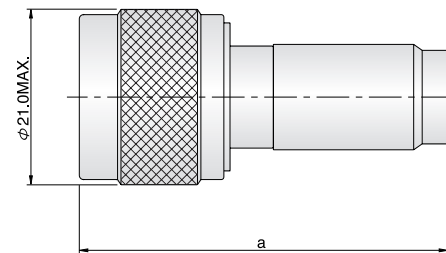
N Type

Straight Plug, Crimp



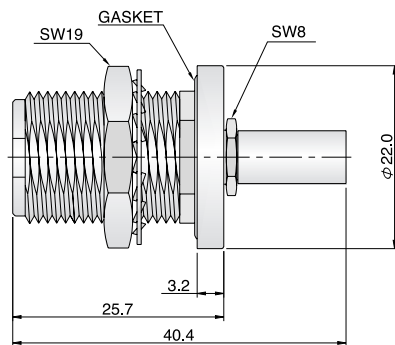
Part Number	Cable Type	Finish	Remarks
KCN8012210120	RG-214/U	Ni	

Straight Plug, Crimp



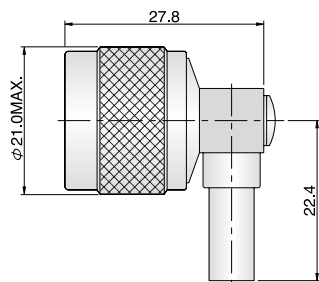
Part Number	Cable Type	Finish	Remarks
KCN8012210040	RG-393/U	Ni	a=43.3
KCN8012210100	SPEEDFLEX500	Ni	a=37.8

Bulkhead Jack, Crimp



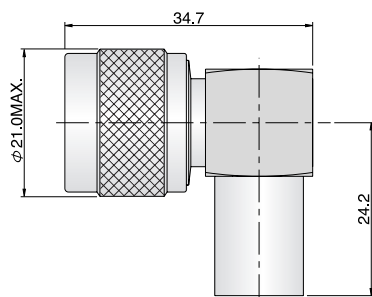
Part Number	Cable Type	Mounting Hole	Finish	Remarks
KCN8021210000	RG-400/U, RG-142B/U	ML 13	Ni	

Right Angle Plug, Crimp



Part Number	Cable Type	Finish	Remarks
KCN8032210000	RG-400/U, RG-142B/U	Ni	

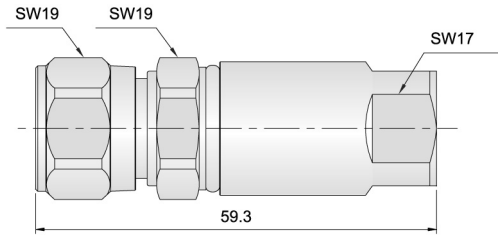
Right Angle Plug, Crimp



Part Number	Cable Type	Finish	Remarks
KCN8032210010	RG-214/U	Ni	

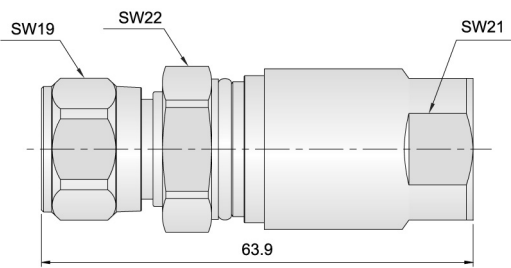
N Type

For Smooth Wall Type Cable



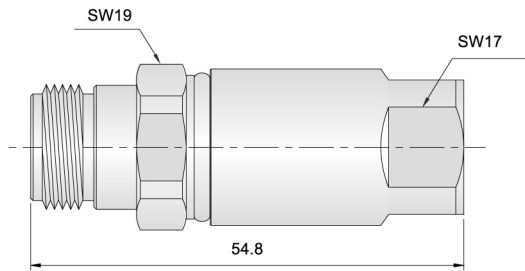
Straight Plug , Clamp

Part Number	Cable Type	Finish	Remarks
KCN8012220270	2/5" SWT	Ni	



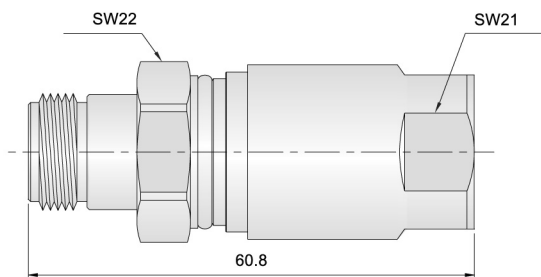
Straight Plug , Clamp

Part Number	Cable Type	Finish	Remarks
KCN8012220320	1/2" SWT	Ni	



Straight Jack , Clamp

Part Number	Cable Type	Finish	Remarks
KCN8011080020	2/5" SWT	Ni	

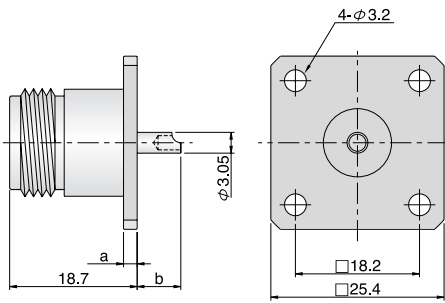


Straight Jack , Clamp

Part Number	Cable Type	Finish	Remarks
KCN8011080030	1/2" SWT	Ni	

N Type

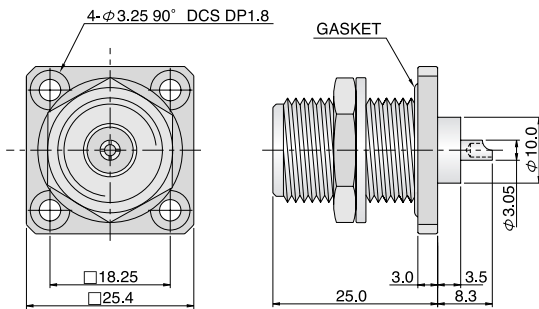
Solder and Coaxial Version



Flange Jack, Solder Pot

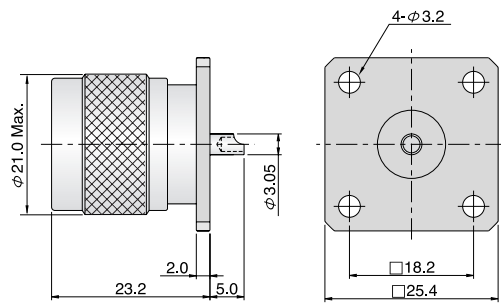
Part Number	Flange Type	Finish	Remarks
KCN8043100070	Square	Ni	a=2.0 ; b=6.4
KCN8043100090	Square	Ni	a=3.0 ; b=8.0

Bulkhead Flange Jack, Solder Pot



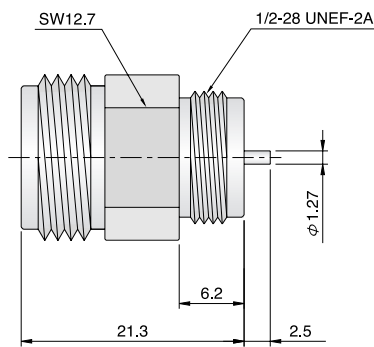
Part Number	Mounting Hole	Finish	Remarks
KCN8023100000	ML 16, Square	Ni	

Flange Plug, Solder Pot



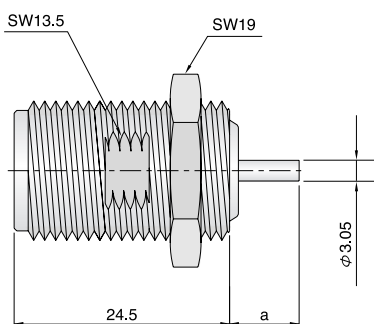
Part Number	Flange Type	Finish	Remarks
KCN8044100000	Square	Ni	

Bulkhead Jack, Straight Terminal



Part Number	Mounting Hole	Finish	Remarks
KCN8021110060	ML 18	Ni	

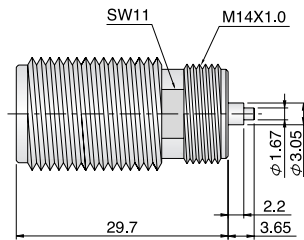
Bulkhead Jack, Straight Terminal



Part Number	Mounting Hole	Finish	Remarks
KCN8021110070	ML 19	Silver	a=6.0
KCN8021110080	ML 19	Silver	a=4.0
KCN8021110110	ML 19	Ni	a=9.6

N Type

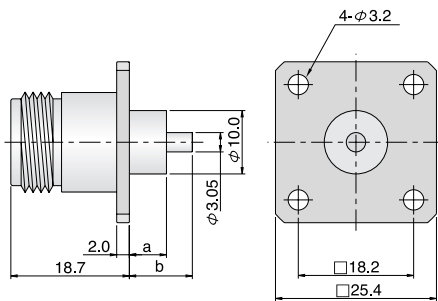
Solder and Coaxial Version



Bulkhead Jack, Straight Terminal

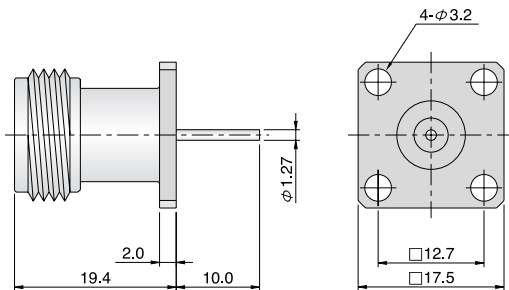
Part Number	Mounting Hole	Finish	Remarks
KCN8021110190	ML 20	Ni	

Flange Jack, Straight Terminal



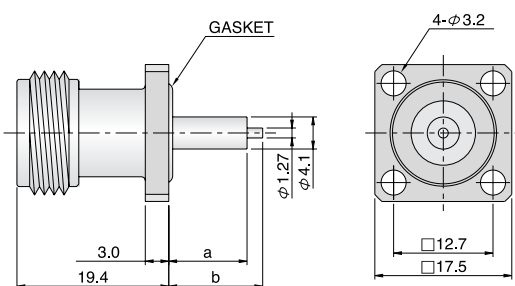
Part Number	Flange Type	Finish	Remarks
KCN8043110080	Square	Ni	a=5.0 ; b=8.0
KCN8043110090	Square	Ni	a=5.5 ; b=7.5
KCN8043110230	Square	3Mat'l	a=0.0 ; b=8.0
KCN8043110320	Square	Ni	a=5.0 ; b=15.5

Flange Jack, Straight Terminal



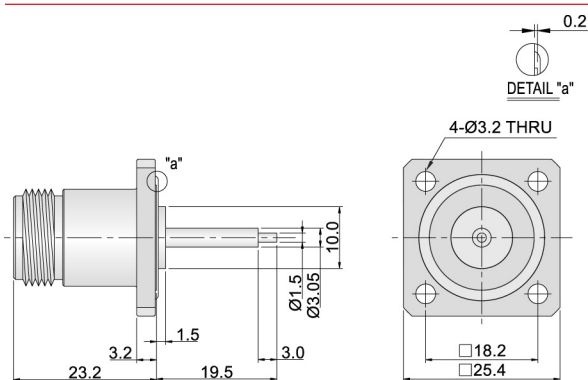
Part Number	Flange Type	Finish	Remarks
KCN8043110340	Square	Ni	

Flange Jack, Straight Terminal



Part Number	Flange Type	Finish	Remarks
KCN8043110350	Square	Ni	a=10.0 ; b=12.0
KCN8043110360	Square	Ni	a=13.0 ; b=16.0

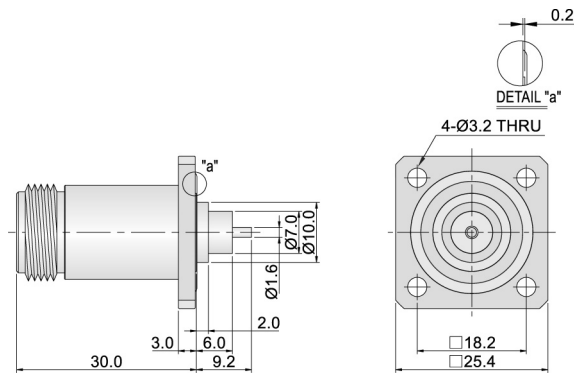
Flange Jack, Straight Terminal



Part Number	Flange Type	Finish	Remarks
KCN8043111270	Square	TCP	Water Proof (IP67) AIR LEAK SPEC. : 0.14bar / 1min.

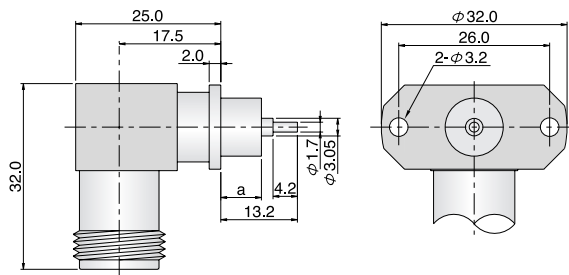
N Type

Solder and Coaxial Version



Flange Jack, Straight Terminal

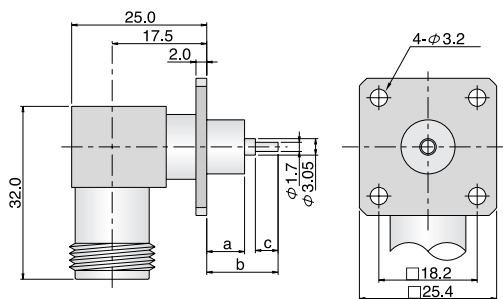
Part Number	Flange Type	Finish	Remarks
KCN8043111310	Square	3MAT'L	Water Proof (IP67) AIR LEAK SPEC. : 0.14bar / 1min.



Right Angle Flange Jack, Straight Terminal

Part Number	Flange Type	Finish	Remarks
KCN8035110000	2 Hole	Ni	a=7.0
KCN8035110010	2 Hole	Ni	a=0.0

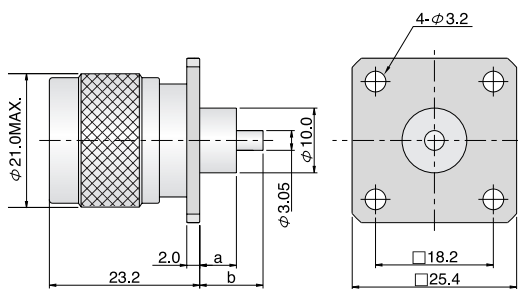
Solder and Coaxial Version



Right Angle Flange Jack, Straight Terminal

Part Number	Flange Type	Finish	Remarks
KCN8037110000	Square	Ni	a=0.0 ; b=13.2 ; c=4.2
KCN8037110010	Square	Ni	a=5.0 ; b=11.2 ; c=4.0

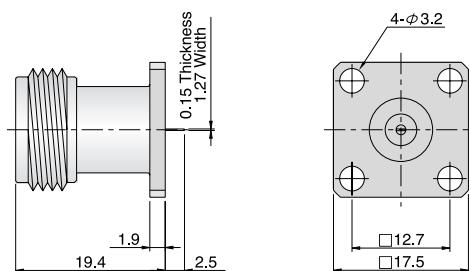
N Type



Flange Plug, Straight Terminal

Part Number	Flange Type	Finish	Remarks
KCN8044110050	Square	Ni	a=5.8 ; b=12.0
KCN8044110060	Square	Ni	a=6.0 ; b=7.5
KCN8044110070	Square	Ni	a=5.0 ; b=7.5

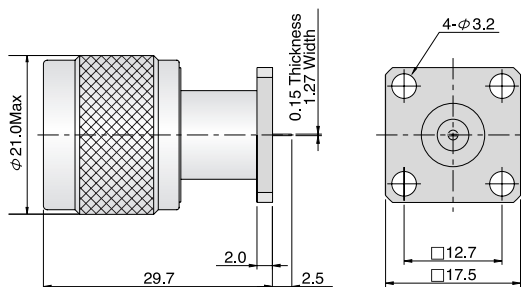
Stripline and Microstrip Launchers



Flange Jack, Tab Contact

Part Number	Flange Type	Finish	Remarks
KCN8043140040	Square	Ni	

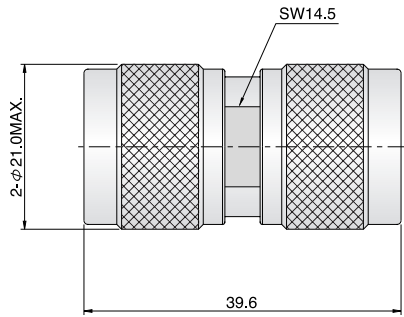
Flange Plug, Tab Contact



Part Number	Flange Type	Finish	Remarks
KCN8044140000	Square	Ni	

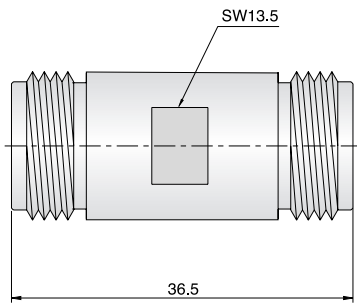


Straight Adapter Plug to Plug



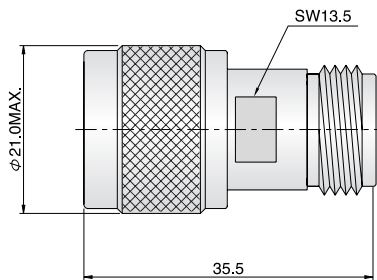
Part Number	Finish	Remarks
KAD8080110000	Ni	

Straight Adapter Jack to Jack



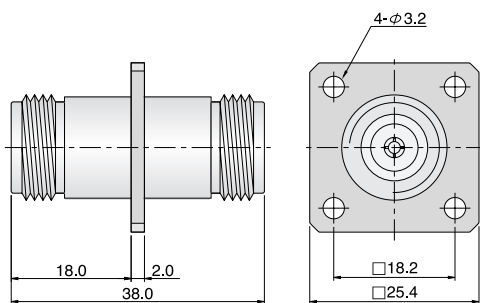
Part Number	Finish	Remarks
KAD8080210000	Ni	

Straight Adapter Plug to Jack



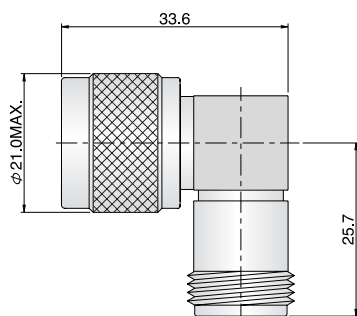
Part Number	Finish	Remarks
KAD8080310000	Ni	

Flange Adapter Jack to Jack



Part Number	Mounting Hole	Finish	Remarks
KAD8080250010	ML 14	Ni	

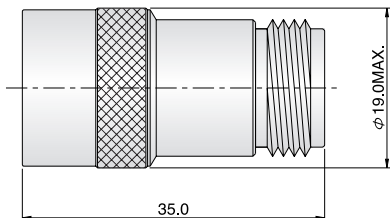
Right Angle Adapter Plug to Jack



Part Number	Finish	Remarks
KAD8080330000	Ni	

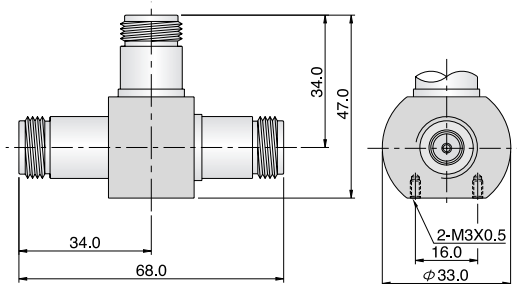
N Type

Straight Adapter Plug to Jack



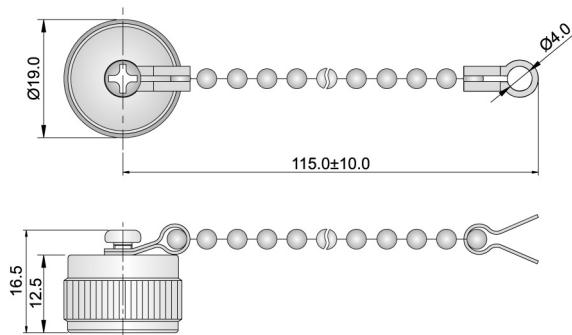
Part Number	Finish	Remarks
KAD8080310010	Ni	Quick Snap on Type

T-Adapter 3Jacks



Part Number	Finish	Remarks
KAD8095000000	Ni	

Cap with chain for Jack



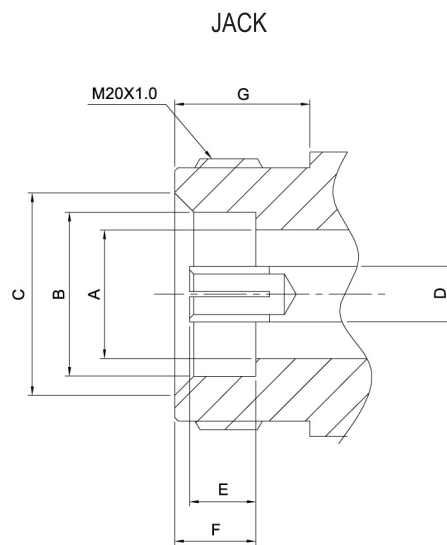
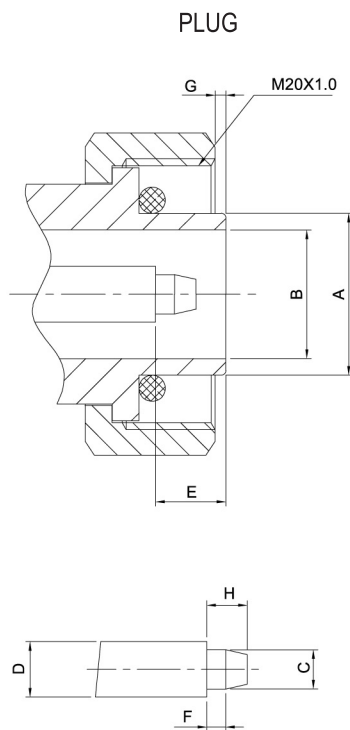
Part Number	Flange Type	Finish	Remarks
KCN8080000030	-	Ni	

N Type

4.1/9.5 series



Interface mating dimensions



	PLUG	
	Min(mm)	Max(mm)
A	11.84	12.02
B	9.40	9.60
C	2.86	2.95
D	4.13 Normal	
E	5.05	5.35
F	0.80	1.60
G	-	1.00
H	2.00	4.00

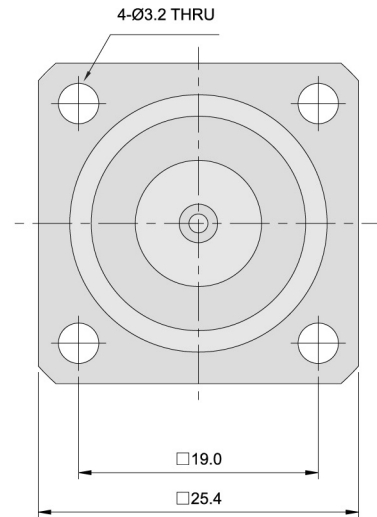
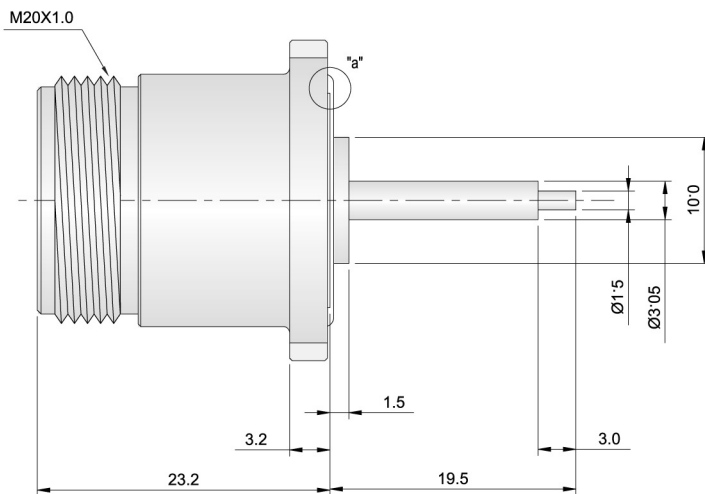
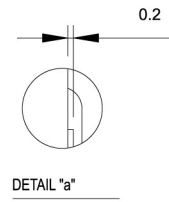
	JACK	
	Min(mm)	Max(mm)
A	9.40	9.60
B	12.03	12.21
C	14.90	15.00
D	4.13 Normal	
E	4.73	5.03
F	5.80	6.20
G	8.00	-

4.1/9.5

	REQUIREMENT	SPECIFICATION
Material	Body	Brass Nikel Plate, 3Mat'l Plated
	Pin	Brass or Beryllium Copper Nickel Plated, Passivate
	Insulator	PTFE Teflon
Electrical	Normal Impedance	50 Ω
	VSWR	Straight 1.2 Max. @4GHz
	Insertion Loss	0.07x√f f:Frequency(GHz)
	Insulation Resistance	DC 500V 5,000MΩ Min.
	Contact Resistance	Inner Conductor : 1mΩ Max., Outer Conductor 2mΩ Max.
Mechanical	Coupling Nut Retention Force	proof torque : 172.4kgf.cm, recommended : 50.5~101.6kgf.cm
	Center Force	Engage : 0.9kgf Max., Disengage : 0.03kgf Min.
	Connector Durability	500Cycles MIL-C-39012
Environmental	Vibration	MIL-STD-202, Method 204
	Thermal Shock	MIL-STD-202, Method 107D, Test Condition B
	Corrosion (Salt Spray)	MIL-STD-202, Method 101D, Test Condition B
	Humidity (Steady State)	MIL-STD-202, Method 103B, Test Condition B

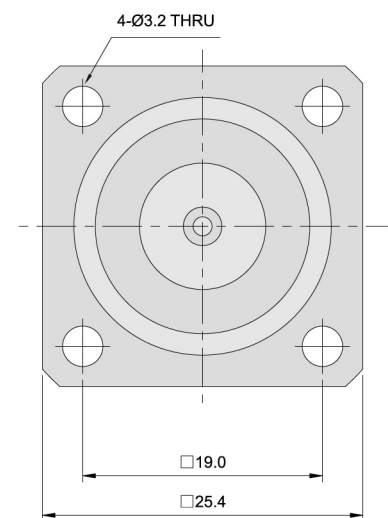
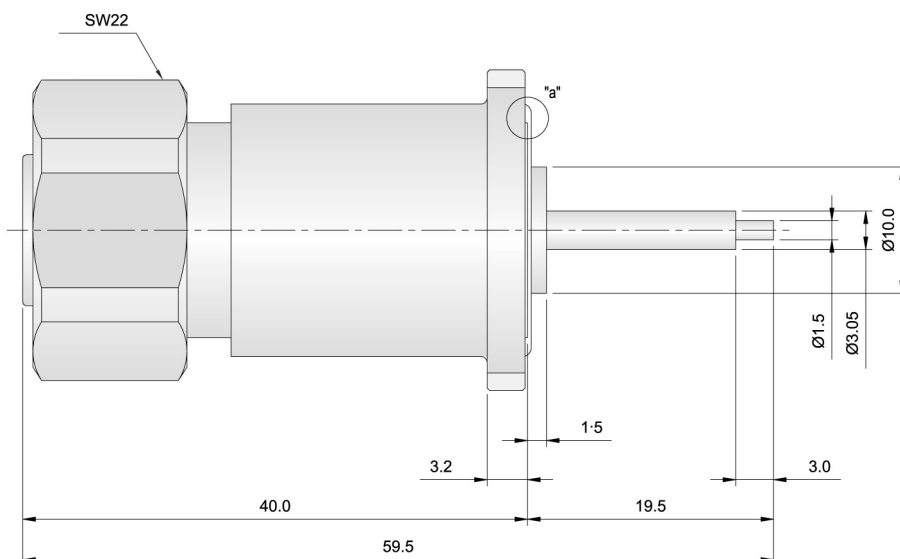
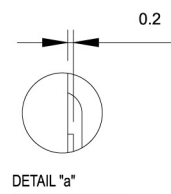
Flange Jack, Straight Terminal

Part Number	Flange Type	Finish	Remarks
KCN8643110010	Square	TCP	Water Proof (IP67) AIR LEAK SPEC. : 0.14bar / 1min.



Flange Jack, Straight Terminal

Part Number	Flange Type	Finish	Remarks
KCN8644110000	Square	TCP	Water Proof (IP67) AIR LEAK SPEC. : 0.14bar / 1min.

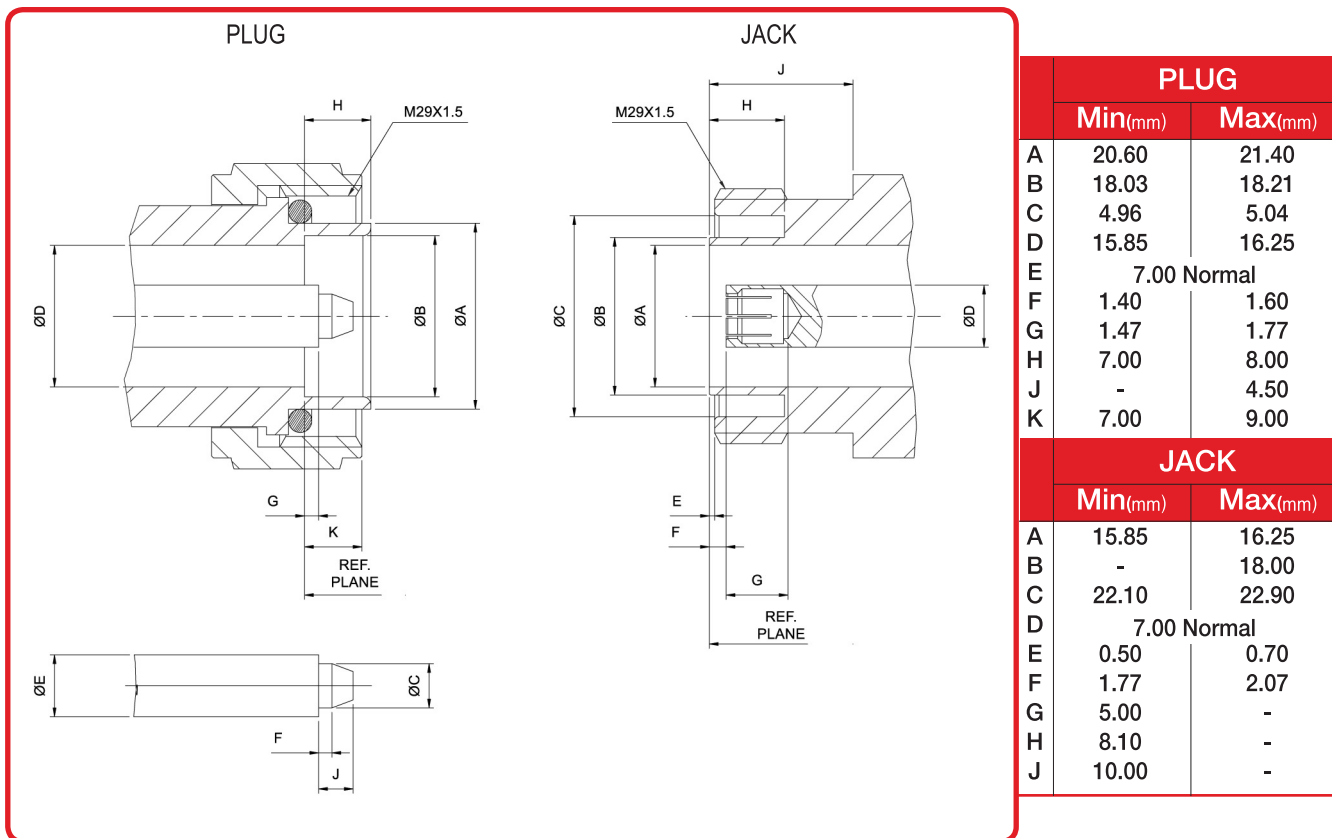


4.1/9.5

7/16 series



Interface mating dimensions

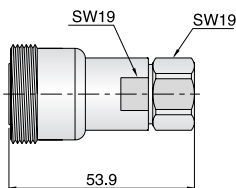


7/16

	REQUIREMENT	SPECIFICATION
Material	Body	Brass Nickel Plated, Silver Plated, 3Mat'l Plated
	Coupling Nut	Brass Nickel Plated
	Center Contacts	Brass or Beryllium Copper, Spring bronze Gold Plated, Silver Plated
	Insulator	PTFE Teflon
	Gasket	Silicone Rubber
Electrical	Normal Impedance	50 Ω
	VSWR	Straight DC~4GHz Max 1.25 Right Angle DC~4GHz Max 1.35
	Insertion Loss	$0.08 \times \sqrt{f}$: Frequency(GHz)
	Insulation Resistance	DC 500V 10,000MΩ Min
	Contact Resistance	Inner Conductor : 5mΩ Max, Outer Conductor : 10mΩ Max
Mechanical	Coupling Nut Retention Force	102.2Kgf Min
	Coupling Nut Mating Force	Proof Torque:354.9Kgf.Cm Min, Recommended Mating Torque:253.5~304.Kgf. Cm
	Center Force	Engage :3.5Kgf Max, Disengage : 0.4Kgf Min
	Connector Durability	500 Cycles MIL-C-39012
Environmental	Vibration	MIL-STD-202, Method 204
	Thermal Shock	MIL-STD-202, Method 107D, Test Condition B
	Corrosion (Salt Spray)	MIL-STD-202, Method 101D, Test Condition B
	Humidity (Steady State)	MIL-STD-202, Method 103B, Test Condition B

This specification covers the normal item among 7/16 Type connector. Inquire separately for detailed specification.

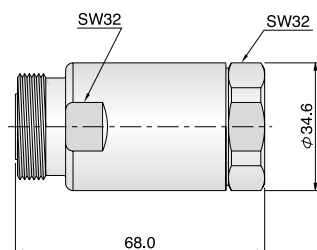
For Feeder Cable



Straight Jack

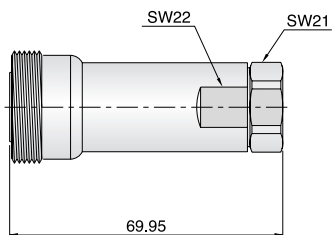
Part Number	Cable Type	Finish	Remarks
KCN8211220002	1/2"SFL (HFSC 12D)	Silver	

Straight Jack



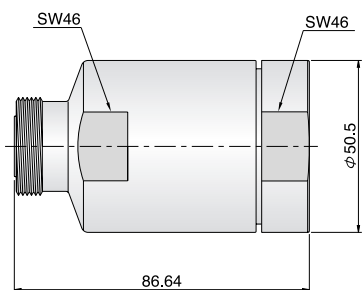
Part Number	Cable Type	Finish	Remarks
KCN8211220040	7/8"FL (HFC-22D)	Silver	

Straight Jack



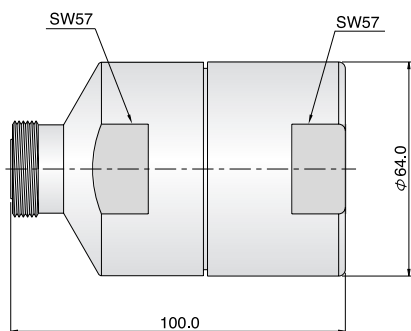
Part Number	Cable Type	Finish	Remarks
KCN8211220050	1/2"FL (HFC 12D)	Silver	

Straight Jack



Part Number	Cable Type	Finish	Remarks
KCN8211220060	11/4"FL (HFC 33D)	Silver	

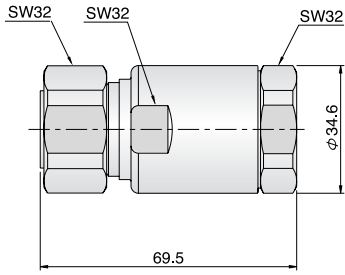
Straight Jack



Part Number	Cable Type	Finish	Remarks
KCN8211220070	15/8"FL (HFC 42D)	Silver	

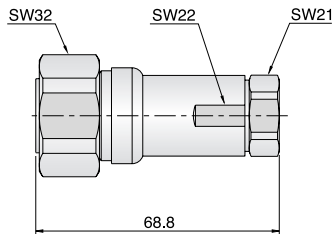
7/16

For Feeder Cable



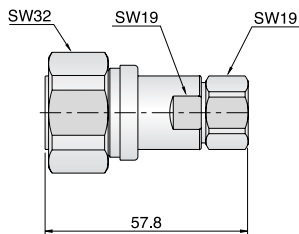
Straight Plug

Part Number	Cable Type	Finish	Remarks
KCN8212220030	7/8"FL (HFC 22D)	Silver	



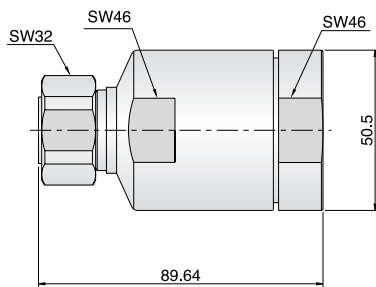
Straight Plug

Part Number	Cable Type	Finish	Remarks
KCN8212220040	1/2"FL (HFC 12D)	Silver	



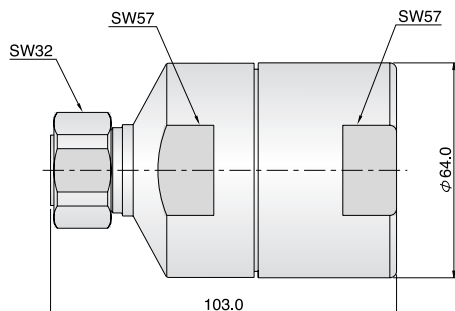
Straight Plug

Part Number	Cable Type	Finish	Remarks
KCN8212220050	1/2"SFL (HFSC 12D)	Silver	



Straight Plug

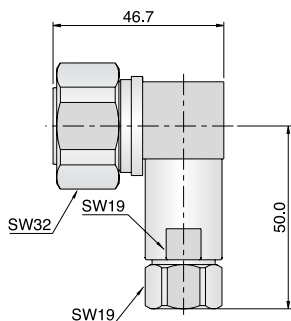
Part Number	Cable Type	Finish	Remarks
KCN8212220060	1 1/4"FL (HFC 33D)	Silver	



Straight Plug

Part Number	Cable Type	Finish	Remarks
KCN8212220070	1 5/8"FL (HFC 42D)	Silver	

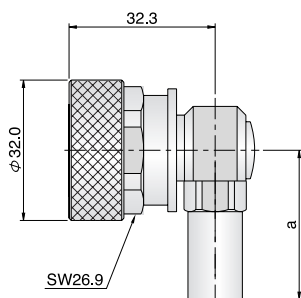
For Feeder Cable



Right Angle Plug

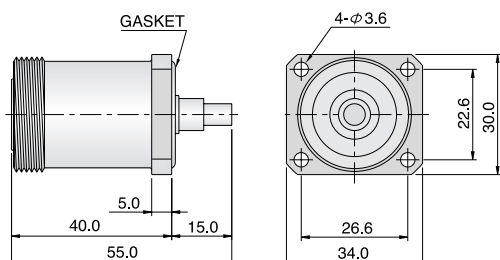
Part Number	Cable Type	Finish	Remarks
KCN8232220000	1/2"SFL (HFSC 12D)	Silver	

For Flexible and Semi-Rigid Cable



Right Angle Plug

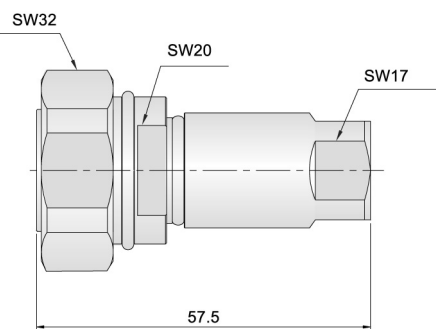
Part Number	Cable Type	Finish	Remarks
KCN8232210000	RG-214/U	Ni	a=34.5
KCN8232210010	RG-400/U, RG-142B/U	Ni	a=27.0



Flange Jack

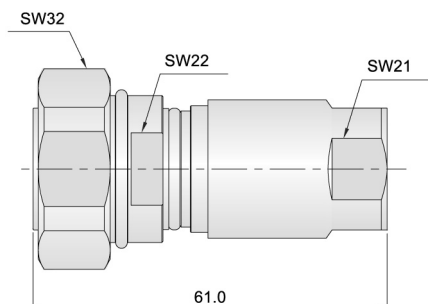
Part Number	Cable Type	Flange Type	Finish	Remarks
KCN8243200040	RG-402/U(.141")	Square	Silver	PIMD Type

For Smooth Wall Type Cable



Straight Plug , Clamp

Part Number	Cable Type	Finish	Remarks
KCN8212080040	2/5" SWT	Ni	

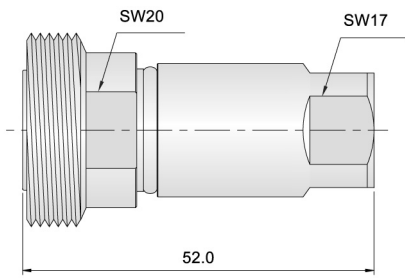


Straight Plug , Clamp

Part Number	Cable Type	Finish	Remarks
KCN8212080050	2/8" SWT	Ni	

7/16

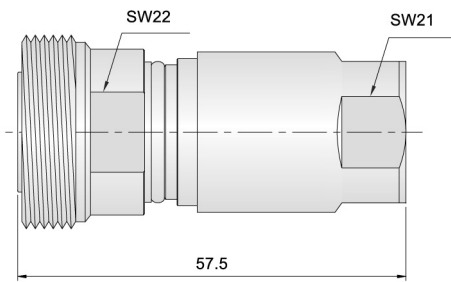
For Smooth Wall Type Cable



Straight Jack , Clamp

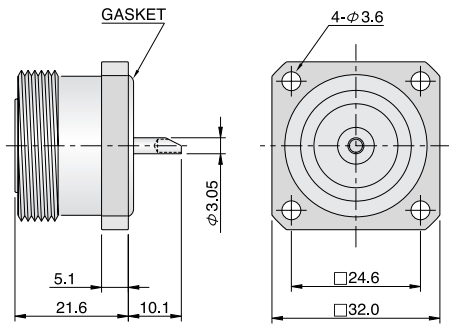
Part Number	Cable Type	Finish	Remarks
KCN8211080030	2/5" SWT	Ni	

Straight Jack , Clamp



Part Number	Cable Type	Finish	Remarks
KCN8011080030	1/2" SWT	Ni	

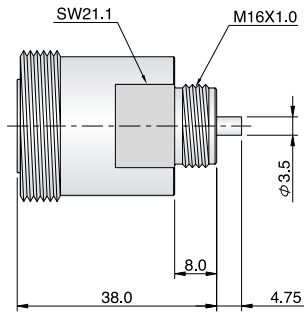
Solder and Coaxial Version



Flange Jack, Solder Pot

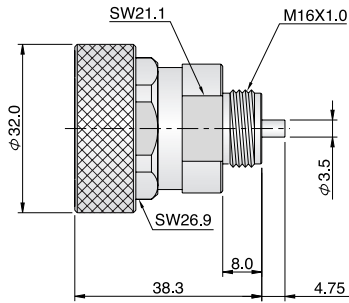
Part Number	Flange Type	Finish	Remarks
KCN8243100000	Square	Ni	

Bulkhead Jack, Straight Terminal



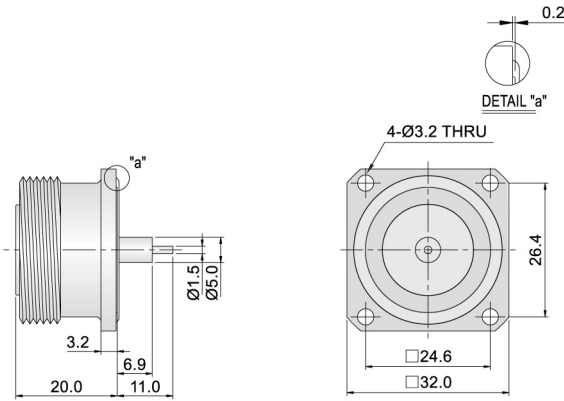
Part Number	Mounting Hole	Finish	Remarks
KCN8221110020	ML 25	Sliver	

Bulkhead Plug, Straight Terminal



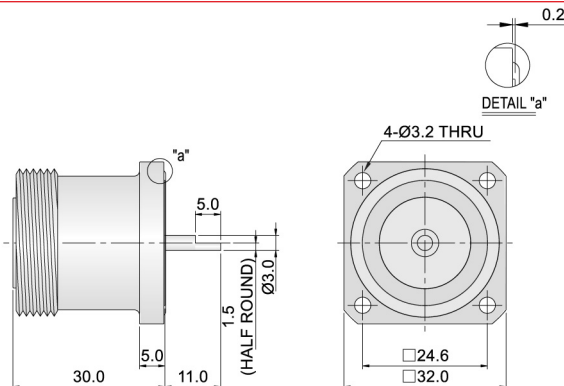
Part Number	Mounting Hole	Finish	Remarks
KCN8222110000	ML 25	Sliver	

Flange Jack, Straight Terminal



Part Number	Flange Type	Finish	Remarks
KCN8243110270	Square	Ag	
KCN8243110271	Square	3MAT'L	

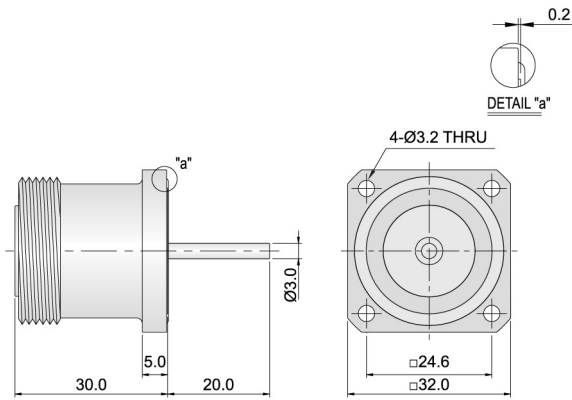
Flange Jack, Straight Terminal



Part Number	Flange Type	Finish	Remarks
KCN8243110280	Square	3MAT'L	

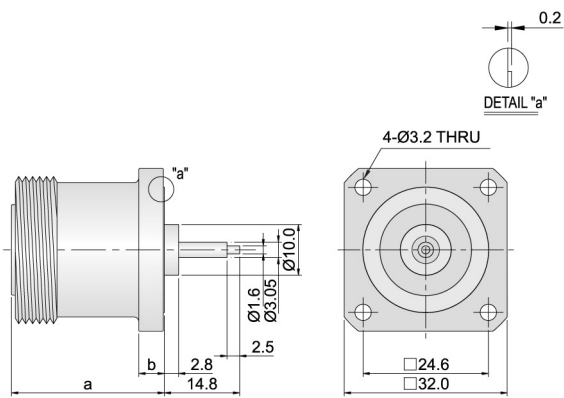
7/16

Flange Jack, Straight Terminal



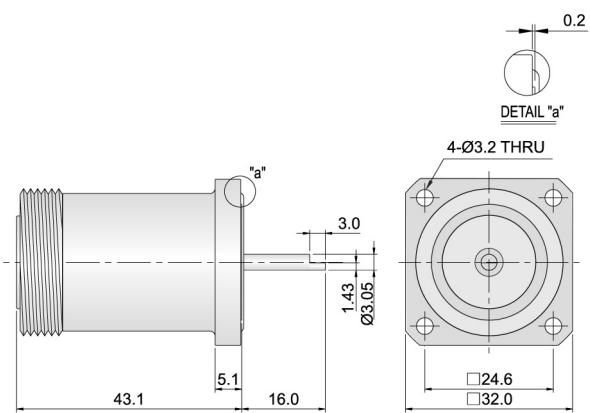
Part Number	Flange Type	Finish	Remarks
KCN8243110380	Square	3MAT'L	

Flange Jack, Straight Terminal



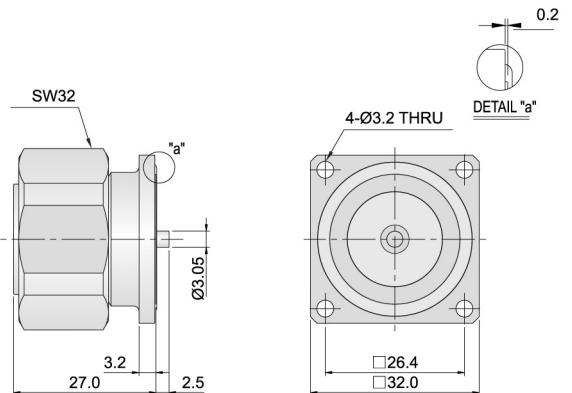
Part Number	Flange Type	Finish	Remarks
KCN8243110470	Square	3MAT'L	a= 30.0 ; b= 5.0
KCN8243110480	Square	3MAT'L	a= 20.0 ; b= 3.2

Flange Jack, Straight Terminal



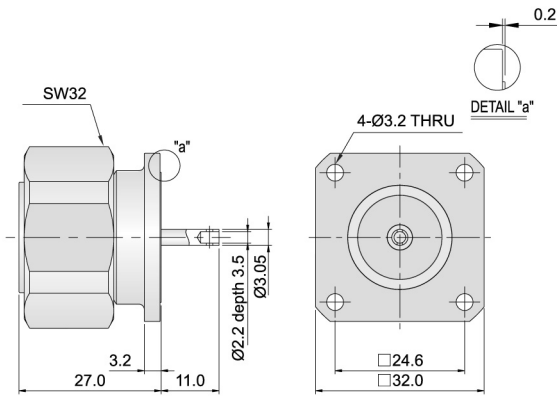
Part Number	Flange Type	Finish	Remarks
KCN8243160190	Square	3MAT'L	

Flange Plug, Straight Terminal



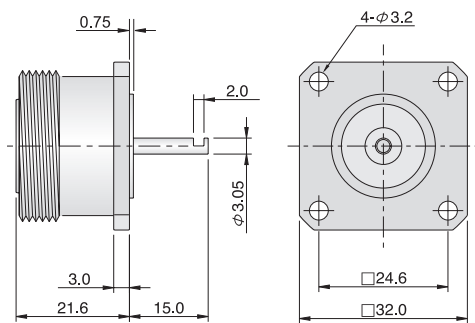
Part Number	Flange Type	Finish	Remarks
KCN8244110050	Square	3MAT'L	

Flange Plug, Straight Terminal



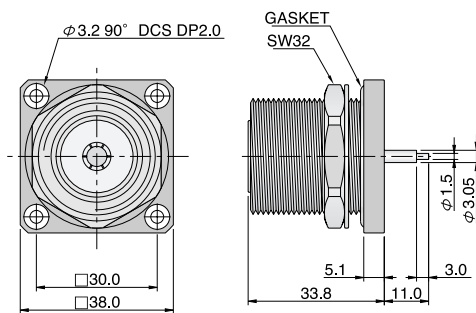
Part Number	Flange Type	Finish	Remarks
KCN8244180010	Square	Ni	

Flange Jack, Straight Terminal



Part Number	Flange Type	Finish	Remarks
KCN8243160030	Square	Sliver	

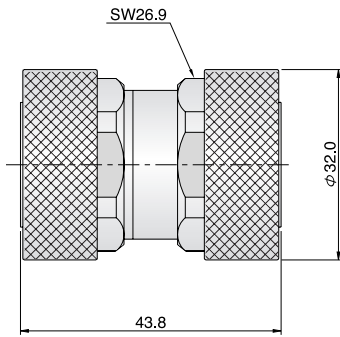
Bulkhead Flange Jack, Straight Terminal



Part Number	Flange Type	Finish	Remarks
KCN8223110070	Square	3Mat'l	

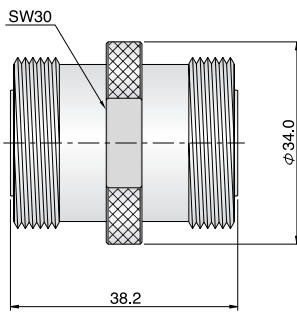
7/16

Straight Adapter Plug to Plug



Part Number	Finish	Remarks
KAD8282110000	Ni	

Straight Adapter Jack to Jack

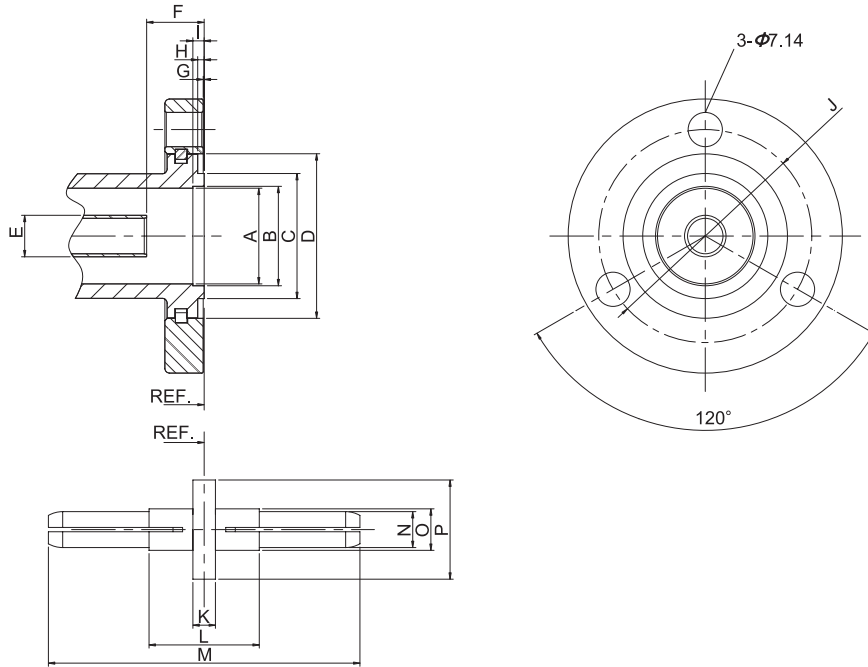


Part Number	Finish	Remarks
KAD8282210000	Ni	

EIA series



Interface mating dimensions



	Min(mm)	Max(mm)
A	19.87	20.01
B	20.7	20.83
C	26.03	26.16
D	34.29	34.42
E	8.66 Normal	
F	11.9	12.7
G	0.13	0.38
H	1.22	1.35
I	2.36	2.49
J	44.45 Normal	
K	4.7 Normal	
L	23.0 Normal	
M	65.0 Normal	
N	7.5 Normal	
O	8.66 Normal	
P	20.7 Normal	

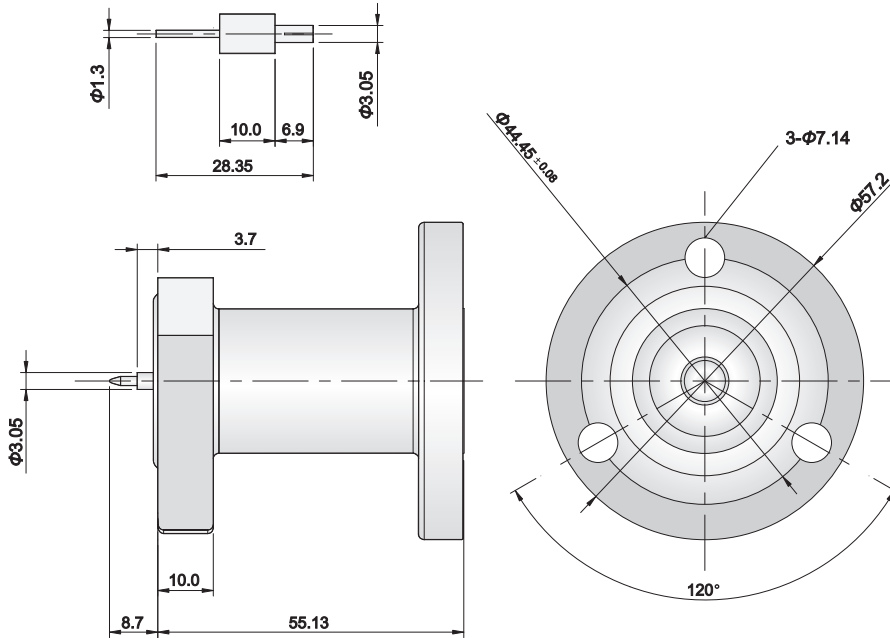
	REQUIREMENT	SPECIFICATION
Material	Body	Brass Nickel Plated, 3Mat'l Plated
	Center Contacts	Brass or Beryllium Copper Silver, Copper Plated
	Insulator	PTFE Teflon
Electrical	Normal Impedance	50 Ω
	VSWR	1.15 Max. @1GHz
	Insertion Loss	0.05dB @1GHz
	Insulation Resistance	DC 500V 5,000M Ω Min
Mechanical	Connector Durability	500 Cycles MIL-C-39012
Environmental	Vibration	MIL-STD-202, Method 204
	Thermal Shock	MIL-STD-202, Method 107D, Test Condition B
	Corrosion (Salt Spray)	MIL-STD-202, Method 101D, Test Condition B
	Humidity (Steady State)	MIL-STD-202, Method 103B, Test Condition B

This specification covers the normal item among EIA Type connector. Inquire separately for detailed specification.

Solder and Coaxial version

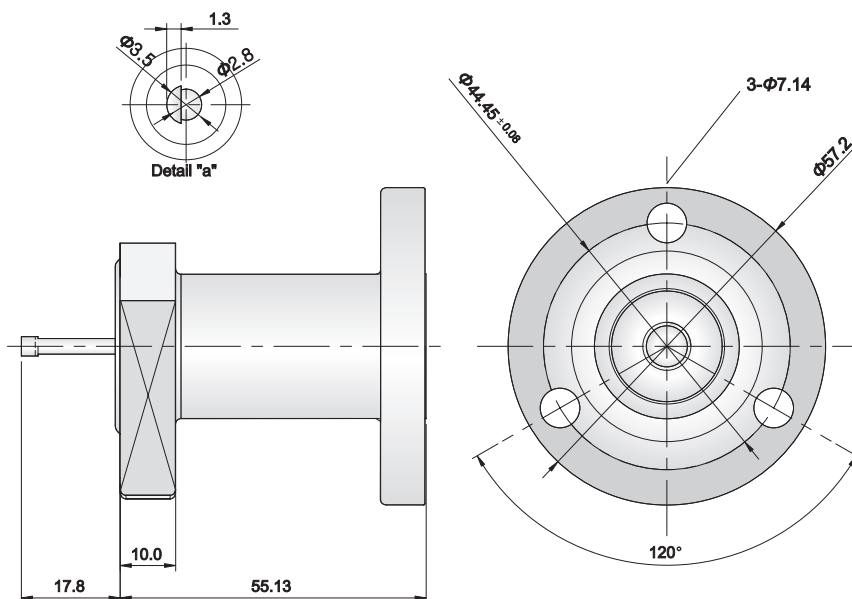
Flange Jack

Part Number	Flange Type	Finish	Remarks
KCN8545110040	Triangle	Ni	



Flange Jack

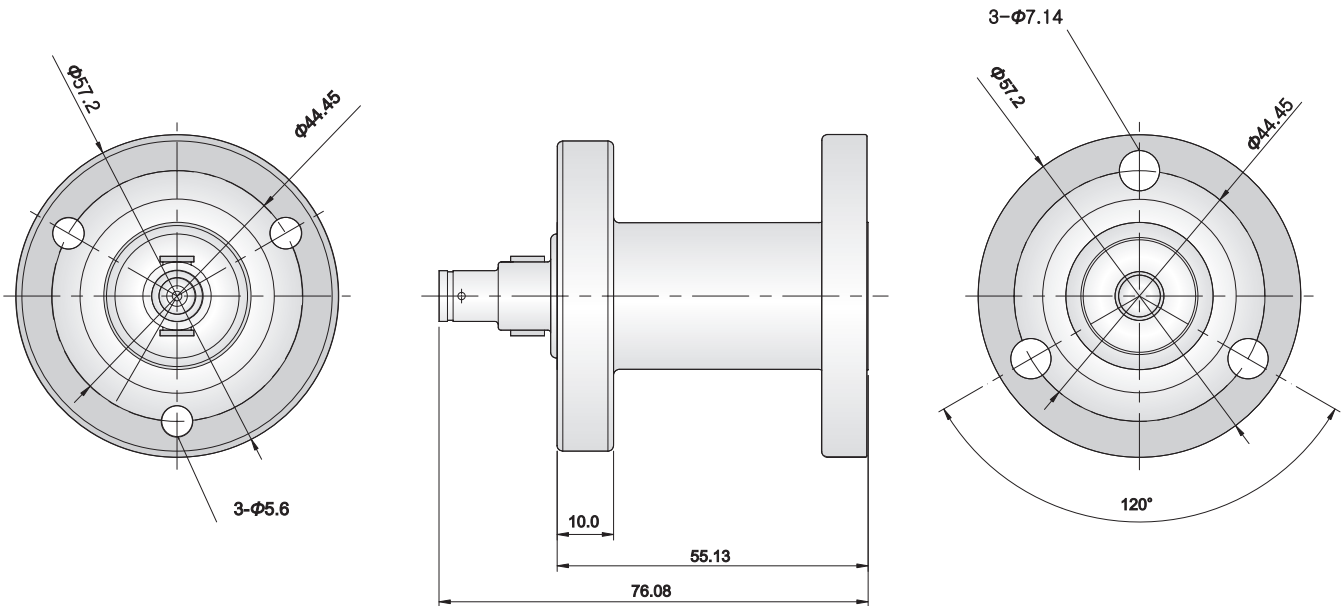
Part Number	Flange Type	Finish	Remarks
KCN8545110190	Triangle	Ni	



For Flexible Cable

Flange

Part Number	Cable Type	Finish	Remarks
KCN8545200000	.250"	Ni	

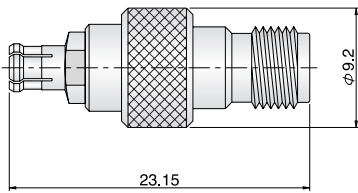


Adapters



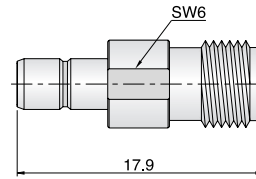
Adapter MCX Plug to SMA Jack

Part Number	Finish	Remarks
KAD1140310000	Gold	



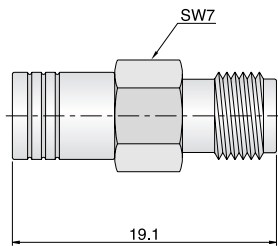
Adapter SMB Jack to SMA Jack

Part Number	Finish	Remarks
KAD3040210000	Gold	



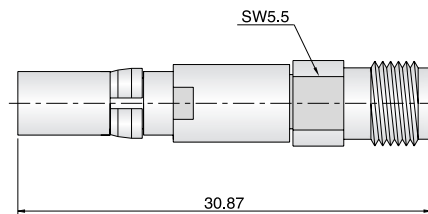
Adapter SMB Plug to SMA Jack

Part Number	Finish	Remarks
KAD3040310000	Gold	



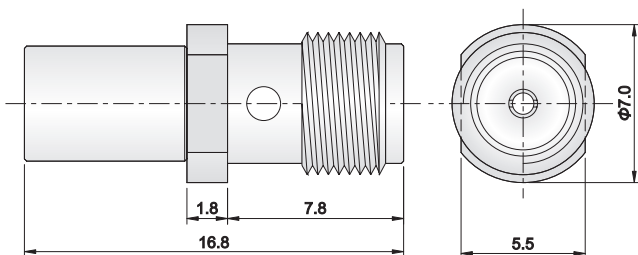
Adapter DIN41626 Plug to SMA Jack

Part Number	Finish	Remarks
KAD4051410000	Gold	



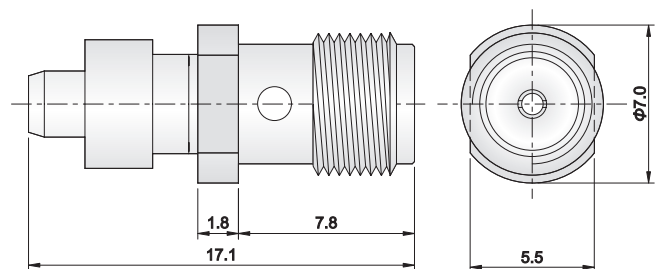
Adapter TCL Jack to SMA Jack

Part Number	Finish	Remarks
KAD2540210000	Ni	



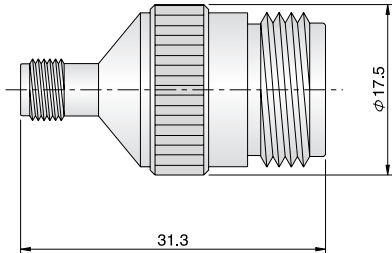
Adapter TCL Plug to SMA Jack

Part Number	Finish	Remarks
KAD2540310000	Ni, Passivity	



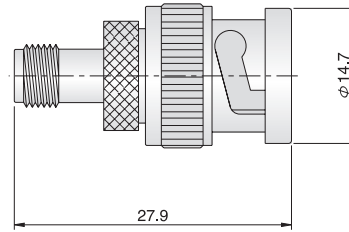
Adapter SMA Jack to N Jack

Part Number	Finish	Remarks
KAD4080210000	Ni	



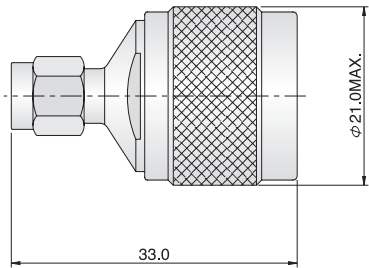
Adapter SMA Jack to BNC Plug

Part Number	Finish Coupling Nut	Finish Housing	Remarks
KAD4070410000	Ni	Gold	



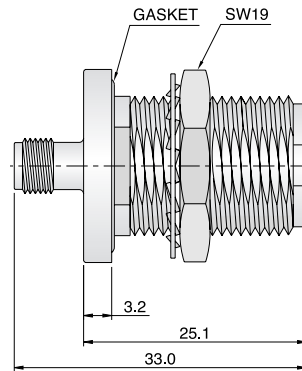
Adapter SMA Plug to N Plug

Part Number	Finish	Remarks
KAD4080110000	Ni	



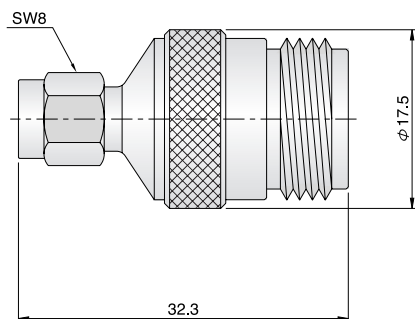
Bulkhead Adapter SMA Jack to N Jack

Part Number	Mounting Hole	Finish	Remarks
KAD4080220000	ML 13	Ni	



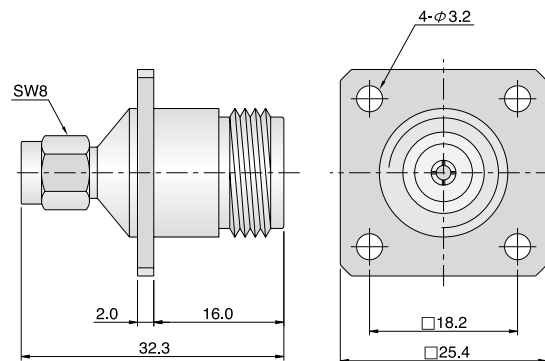
Adapter SMA Plug to N Jack

Part Number	Finish	Remarks
KAD4080310000	Ni	



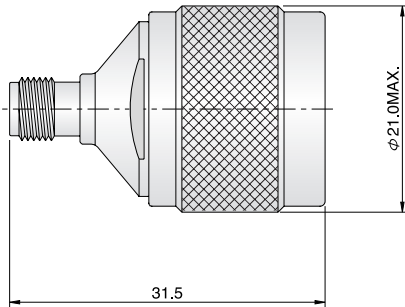
Flange Adapter SMA Plug to N Jack

Part Number	Mounting Hole	Finish	Remarks
KAD4080350000	ML 14	Ni	



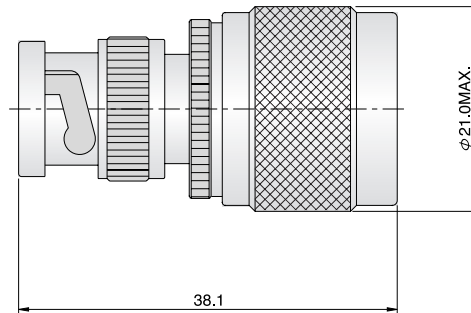
Adapter SMA Jack to N Plug

Part Number	Finish	Remarks
KAD4080410000	Ni	



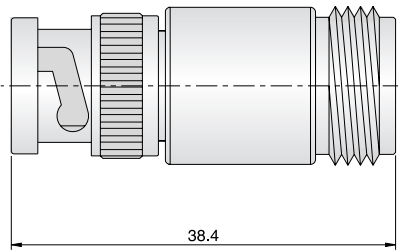
Adapter BNC Plug to N Plug

Part Number	Finish	Remarks
KAD7080110000	Ni	



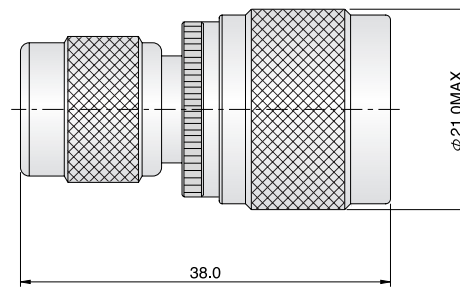
Adapter BNC Plug to N Jack

Part Number	Finish	Remarks
KAD7080310000	Ni	



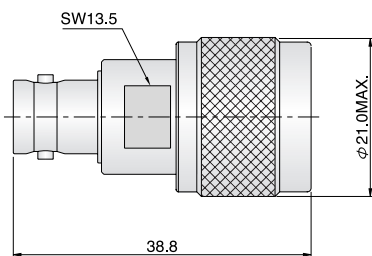
Adapter TNC Plug to N Plug

Part Number	Finish	Remarks
KAD7180110000	Ni	



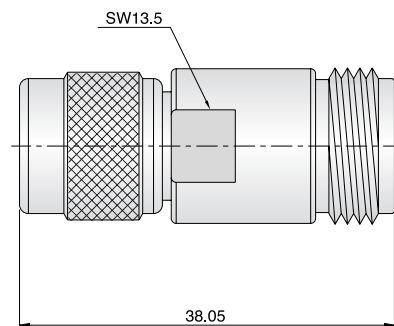
Adapter BNC Jack to N Plug

Part Number	Finish	Remarks
KAD7080410000	Ni	



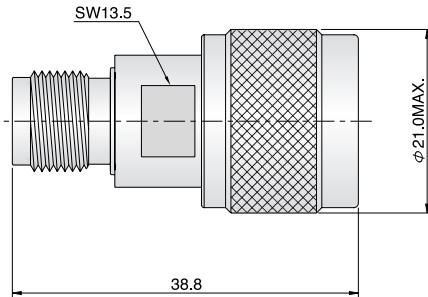
Adapter TNC Plug to N Jack

Part Number	Finish	Remarks
KAD7180310000	Ni	



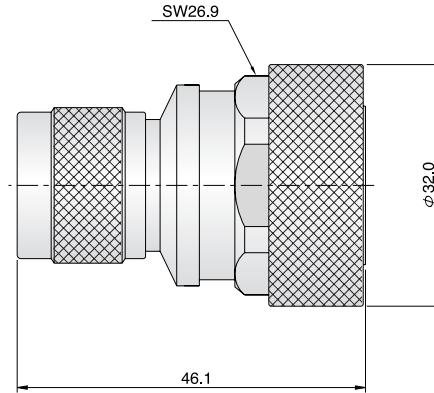
Adapter TNC Jack to N Plug

Part Number	Finish	Remarks
KAD7180410000	Ni	



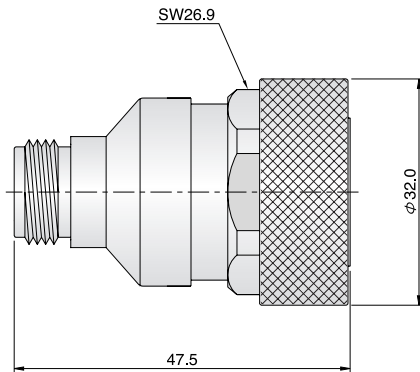
Adapter N Plug to 7/16 Plug

Part Number	Finish	Remarks
KAD8282110000	Ni	3Mat'l



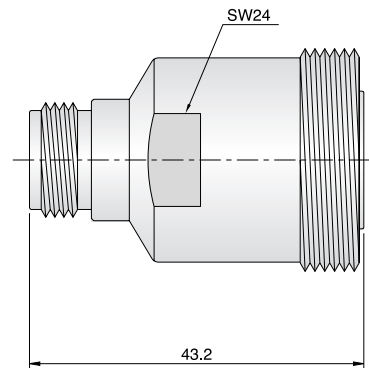
Adapter N Jack to 7/16 Plug

Part Number	Finish	Remarks
KAD8082410000	Ni	



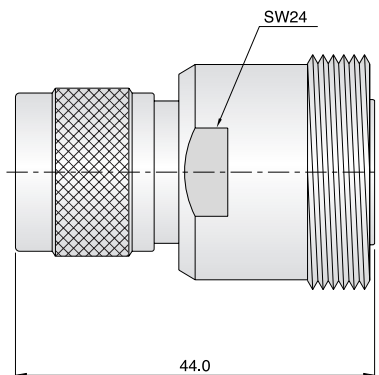
Adapter N Jack to 7/16 Jack

Part Number	Finish	Remarks
KAD8082210000	Ni	



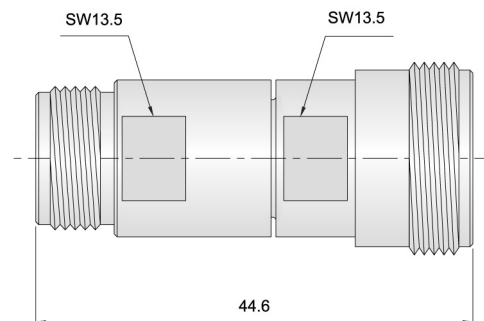
Adapter N Plug to 7/16 Jack

Part Number	Finish	Remarks
KAD8082310000	Ni	



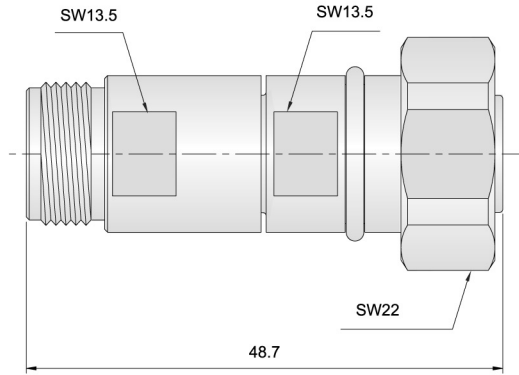
Adapter N type Jack to 4.1/9.5 Jack

Part Number	Finish	Remarks
KAD8086210000	TCP	



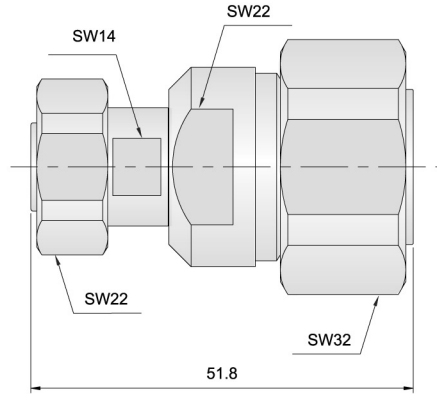
Adapter N type Jack to 4.1/9.5 Plug

Part Number	Finish	Remarks
KAD8086410000	TCP	



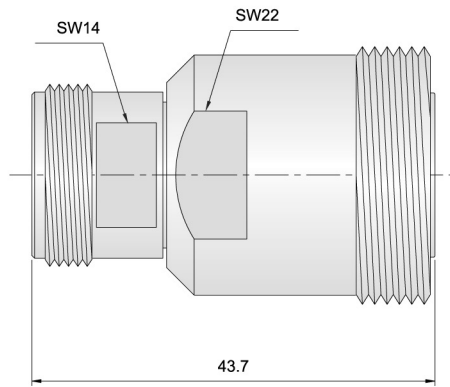
Adapter 4.1/9.5 Plug to 7/16 Plug

Part Number	Finish	Remarks
KAD8682110000	TCP	



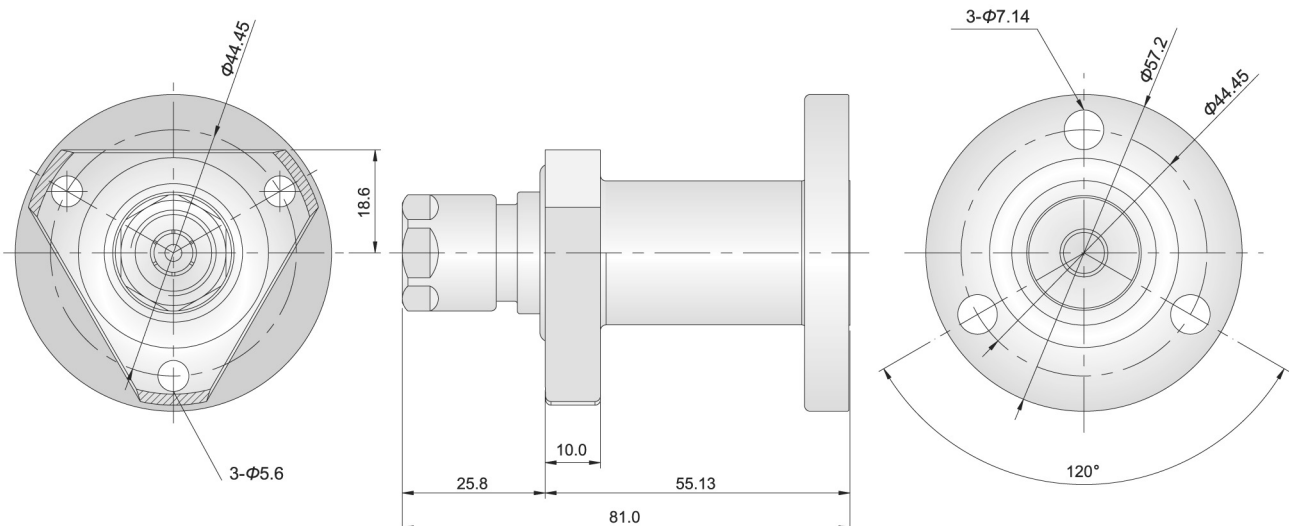
Adapter 4.1/9.5 Jack to 7/16 Jack

Part Number	Finish	Remarks
KAD8682210000	TCP	



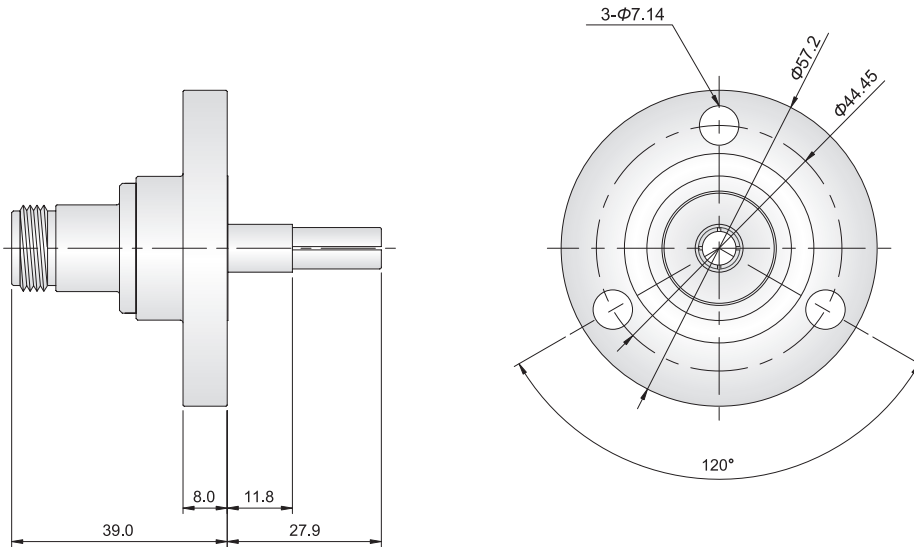
Adapter N Plug to EIA Jack

Part Number	Finish	Remarks
KAD8085310020	Ni	



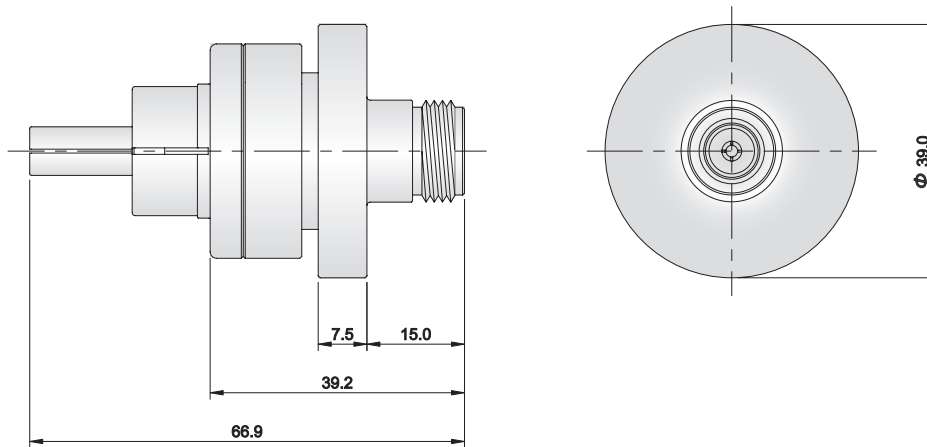
Adapter N Jack to EIA Plug

Part Number	Finish	Remarks
KAD8085410002	Ni	



Adapter N Jack to EIA Plug

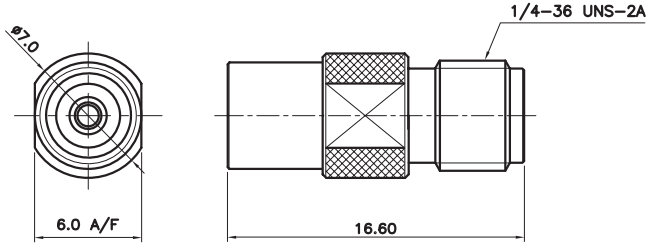
Part Number	Finish	Remarks
KAD8085410010	3Mat'l	



Adapters

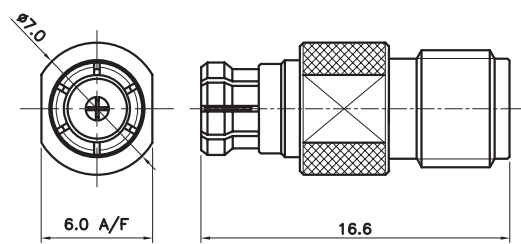
Adapter SMA Jack To TBM Jack

Part Number	Frequency Range	Impedance	VSWR
KAD4027210000	DC-6GHz	50Ω Nominal	1.20 Max.



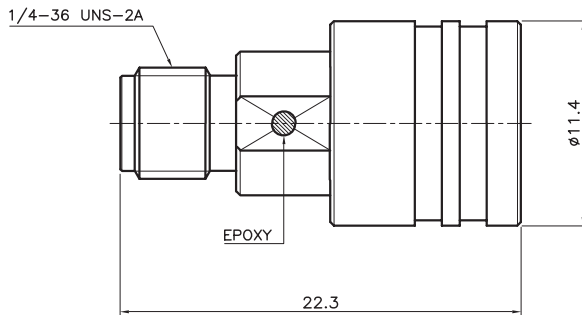
Adapter SMA Jack To TBM Plug

Part Number	Frequency Range	Impedance	VSWR
KAD4027410000	DC-6GHz	50Ω Nominal	1.20 Max.



Adapter SMA Jack To POC Jack

Part Number	Frequency Range	Impedance	VSWR
KAD4061210000	DC-6GHz	50Ω Nominal	1.1 Max.



Adapter SMA Jack To POC Plug

Part Number	Frequency Range	Impedance	VSWR
KAD4061410000	DC-6GHz	50Ω Nominal	1.1 Max.

